

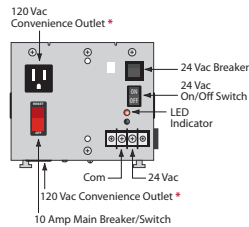
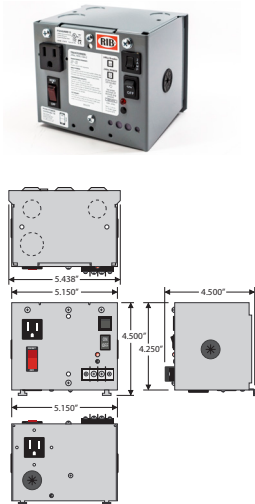
UL508 PSH Series Installation Instructions

Application

These general-purpose power supplies can be used to fulfill all the 120 Vac and 24 Vac* (Class 2) power requirements needed inside a building automation (BAS) panel, industrial enclosure, or other general purpose electrical enclosure, in

addition to on/off control, equipment overcurrent protection, power indication, high/low voltage separation, and convenience receptacles. They are also useful for many applications outside of BAS.

Single Series

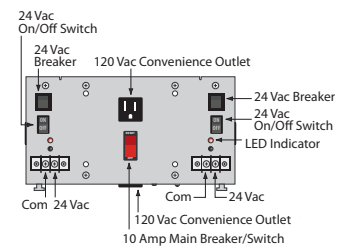
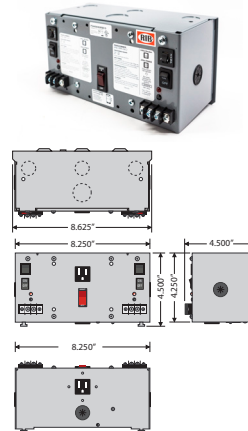


Output Wires: **"B10" Models Only**
Auxiliary Output
BLU: 120 Vac

Input Wires: **"B10" Models Only**
Input Power Wires
BLK: 120 Vac
WHT: Neutral
GRN: Ground

All Other Models
Primary Wires
BLK: 120 Vac
WHT: Common

Dual Series



Frequency: 50/60 Hz
24 Vac ON/OFF: On / Off Switch & Breaker
Main Breaker ON/OFF: Switch / Breaker (10 Amp)
(Kills power to entire unit: Outlets, Aux. Output, and Transformer)
Total Combined Output 9A

Temperature: 40° C

Approvals: Class 2 UL Listed, UL916, UL508, C-UL, CE, RoHS

Dimensions: 4.500" x 5.438" x 4.500" (Single)
4.500" x 8.625" x 4.500" (Dual)

Installation

When installing this Product...

1. Read these instructions carefully. Failure to follow them could damage the product or cause a hazardous condition.
2. Check the product ratings and ensure that the product is suitable for your application.
3. Installer must be a trained, experienced service technician.
4. After installation is complete, perform a voltage check as provided in these instructions.

* 25 Vac output is also suitable for 24 Vac applications.

Mounting

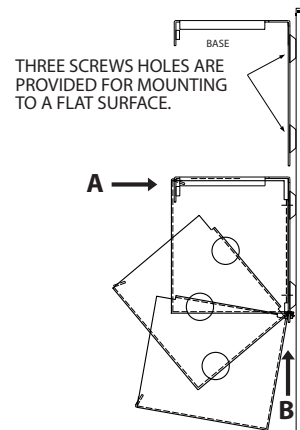
1. Remove the two screws (A) in the top front of the power supply.
2. Mount the base of the power supply by using the provided screw holes to any flat surface.
3. The front of the power supply can then be reconnected to the base (after mounting) by using the hinge hooks (B) at the bottom of the base.
4. Let the front of the base hang free from the hinges while making the appropriate wiring connections. (see wiring instructions)
5. Close the power supply by hinging upwards and replacing the screws from the top front of the power supply.

CAUTION

RISK OF ELECTRICAL SHOCK - MORE THAN ONE DISCONNECT MAY BE REQUIRED TO DE-ENERGIZE THE DEVICE BEFORE SERVICING.

CAUTION

REMOVAL OF COVER EXPOSES HIGH VOLTAGE.



Wiring

All wiring must comply with local codes and ordinances. Disconnect power before making wiring connections to prevent electrical shock or equipment damage.

Note: Use copper wire, 18 AWG minimum with insulation rated for 60°C minimum.

Note: All field wire leads are intended for installation inside the enclosure.

Input Power:

Line voltage 120 Vac = Black Wire
Neutral = White Wire
Ground = Green Wire

Bring line voltage into power supply by:

1. Either knockout located on the top of the base while the front is hinged down from its hinge hooks.
2. Either side opening. Star grommet may be removed if using conduit for the connection.
3. The opening on the bottom/front. Star grommet on bottom can be removed if using conduit for the connection.

(Repeat steps for dual series power supply)

Secondary Output:

If terminal strip is present on the front of the power supply, raise the power supply up from its hinged position and reapply screws to hold power supply into position. Make appropriate secondary connections to the 24 Vac* control circuit by connecting load wires to the terminal strip.

If power supply has no terminal strip, leave the front lowered on hinges and make appropriate wire connections in the inside wiring compartment using wiring nuts. Use white/yellow (24 Vac*) and white/blue (COM) wire inside.

Voltage Check

After installation is complete, turn on power supply:

1. Place controlled equipment in operation and observe through one complete cycle.
2. Using a voltmeter, check for proper primary and secondary voltages, and switch settings.
3. If voltage readings are incorrect, check connections.
4. If voltages are incorrect after verifying connections, call Tech Support.

Use center terminals
(If terminal strip present)



COM 24Vac*