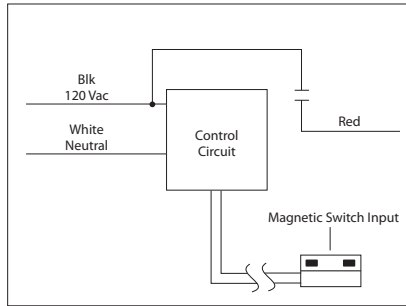


LIGHT CONTROLLER

**CLC106**

Closet Light Controller Relay, 5 Amp SPST-N/O, 120 Vac Power, Separated Class 2 Magnetic Door Switch Input, NEMA 1 Housing



**SPECIFICATIONS**

**# Relays & Contact Type:** One (1) SPST-N/O Continuous Duty Coil  
**Expected Relay Life:** 10 million cycles minimum mechanical

**Operating Temperature:** -30 to 140° F

**Dimensions:** 1.50"H x 2.90"W x 1.05"D

**Housing Detail:** See **Housing J** in housing guide for dimensions with Retaining Clip for 1/2" Knockout

**Origin:** Made of US and non-US parts

**Wires:** 16", 600 V Rated (120 Vac Connections)  
 6' Leads on Magnetic Door Switch

**Approvals:** UL Listed, UL916, C-UL, CE, RoHS

**Housing Rating:** UL Accepted for Use in Plenum, NEMA 1

**Gold Flash:** No

**Override Switch:** No

**Contact Ratings:**

- 5 Amp Resistive @ 120 Vac
- 5 Amp Electronic Ballast @ 120 Vac
- 5 Amp Magnetic Ballast @ 120 Vac
- 5 Amp Tungsten @ 120 Vac

**Power Usage:**

21 mA @ 120 Vac Max.

**Notes:**

- By default, the Magnetic Switch being closed turns the light **off**. To reverse this (Magnetic Switch being closed turns the light **on**), add "NC" to end of model number. See table below:

Model #	Magnetic Switch	Magnetic Switch
	Closed	Open
CLC106	Light OFF	Light ON
CLC106-NC	Light ON	Light OFF

**RETROFIT APPLICATIONS**

- Easily fits inside junction box
- Includes magnetic door switch. When the magnet and contact are separated, the closet light turns on.
- 120 Vac operation

