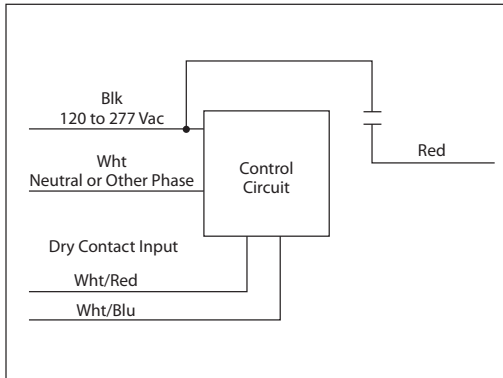


## CLC212-D60

Closest Light Controller Relay, 60 Minute Delay, 10 Amp SPST-N/O, Separated Class 2 Dry Contact Input, 120-277 Vac Power, NEMA 1 Housing



## SPECIFICATIONS

- # Relays & Contact Type:** One (1) SPST-N/O Continuous Duty Coil
- Expected Relay Life:** 10 million cycles minimum mechanical
- Operating Temperature:** -30 to 140° F
- Relay Status:** LED On = Activated
- Dimensions:** 1.70"H x 2.80"W x 1.50"D with 0.50" NPT nipple with Retaining Clip for 1/2" Knockout
- Housing Detail:** See **Housing A** in housing guide for dimensions
- Origin:** Made of US and non-US parts
- Wires:** 16", 600V Rated
- Approvals:** UL Listed, UL916, C-UL, CE, RoHS
- Housing Rating:** UL Accepted for Use in Plenum, NEMA 1
- Gold Flash:** No
- Override Switch:** No

- Contact Ratings:**
- 10 Amp General Use @ 277 Vac
- 1/2 HP @ 125 Vac
- 1 HP @ 250 Vac
- 1/4 HP @ 277 Vac
- 470 VA Pilot Duty @ 125 Vac
- 770 VA Pilot Duty @ 250 Vac

- Power Usage:**
- 52 mA @ 277 Vac Max.

### Notes:

- **Dry Contact Input Operation:** Open Wht/Red wire and Wht/Blu wire to activate relay. Relay contact will close. If more than one CLC212-D60 share a single dry contact input, Wht/Blu must be common.
- For 15 minute delay, order model CLC212-D15.
- Suggested switches: Functional Devices models ACLCMAGSM or ACLCMAGDJ

With model CLC212-D60, money and energy can be saved when a door is inadvertently left open. In the application below, the closet light will turn off after a 60-minute delay. If you wish for the light to remain on indefinitely after the door is open, simply open, close, and reopen the door within three seconds.

## NEW CONSTRUCTION APPLICATIONS

- No stepdown transformer necessary
- 60 minute delay when door is left open
- Operates on any device from 120 Vac to 277 Vac
- Light 18 AWG wire used to control relay, instead of armored cable, but any size may be used
- Closet light turns on when door is open
- Customer needs to purchase Form C or N/O\* door switch

\* A Normally Open (N/O) door switch is open when no outside forces are acting upon it. When used in this application, the switch is closed when the door is closed, and the switch opens when the door is opened, activating the controller to turn the light on. (Door switch not provided, see notes for details.)

