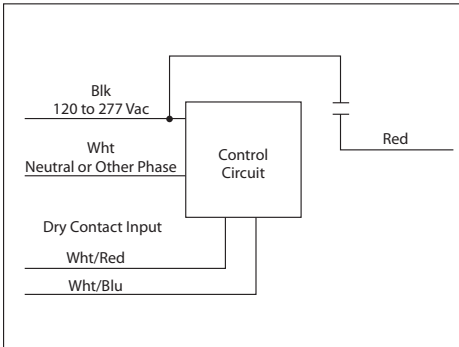


LIGHT CONTROLLER

CLC212

Closet Light Controller Relay, 10 Amp SPST-N/O, Separated Class 2 Dry Contact Input, 120-277 Vac Power, NEMA 1 Housing



SPECIFICATIONS

- # Relays & Contact Type:** One (1) SPST-N/O Continuous Duty Coil
- Expected Relay Life:** 10 million cycles minimum mechanical
- Operating Temperature:** -30 to 140° F
- Relay Status:** LED On = Activated
- Dimensions:** 1.70"H x 2.80"W x 1.50"D with 0.50" NPT nipple with Retaining Clip for 1/2" Knockout
- Housing Detail:** See **Housing A** in housing guide for dimensions
- Origin:** Made of US and non-US parts
- Wires:** 16", 600V Rated
- Approvals:** UL Listed, UL916, C-UL, CE, RoHS
- Housing Rating:** UL Accepted for Use in Plenum, NEMA 1
- Gold Flash:** No
- Override Switch:** No

- Contact Ratings:**
- 10 Amp General Use @ 277 Vac
- 1/2 HP @ 125 Vac
- 1 HP @ 250 Vac
- 1/4 HP @ 277 Vac
- 470 VA Pilot Duty @ 125 Vac
- 770 VA Pilot Duty @ 250 Vac

- Power Usage:**
- 50 mA @ 240 Vac Max.

- Notes:**
- Dry Contact Input Operation:** Close Wht/Red wire to Wht/Blu wire to activate relay. Normally Open relay contact will close. If more than one CLC212 shares a single dry contact input, Wht/Blu must be common.
- Order Normally Closed contact by adding "NC" to end of model number for opposite operation. Normally Closed contact will open when Wht/Red wire is closed to Wht/Blu wire.
- Switch must be Form C or N/C.
- Suggested switches: Functional Devices models ACLCMAGSM or ACLCMAGDJ

NEW CONSTRUCTION APPLICATIONS

- No stepdown transformer necessary
- Operates on any device from 120 Vac to 277 Vac
- Light 18 AWG wire used to control relay, instead of armored cable, but any size may be used
- Closet light turns on when door is open
- Customer needs to purchase Form C or N/C* door switch.
- * A Normally Closed (N/C) door switch is closed when no outside forces are acting upon it. When used in this application, the switch is open when the door is closed, and the switch closes when the door is opened, activating the controller to turn the light on. (Door switch not provided, see notes for details.)

