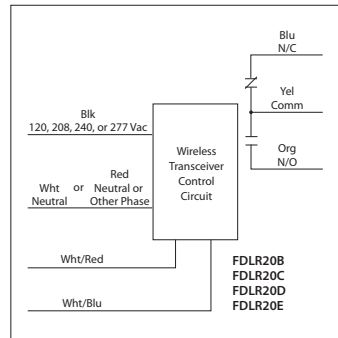


20 AMP WIRELESS CONTROL RELAY

FDLR20B

EnOcean 902 MHz Wireless Relay, Transceiver/
 Repeater, 20 Amp SPDT, 120 Vac Power Input,
 Dry Contact Input, NEMA 1 Housing



Relay has built-in repeater function. Relay receives signal from wireless switch transmitter and rebroadcasts the signal to the next relay receiver.



SPECIFICATIONS

- # Relays & Contact Type:** One (1) SPDT Continuous Duty Coil
- Expected Relay Life:** 10 million cycles minimum mechanical
- Operating Temperature:** -30 to 140° F
- Humidity Range:** 5 to 95% (noncondensing)
- Red LED:** Relay Status / Learn Mode Status (Flashing)
- Dimensions:** 2.39"H x 3.31"W x 1.81"D with 0.50" NPT nipple
- Housing Detail:** See **Housing B** in housing guide for dimensions
- Origin:** Made of US and non-US parts
- Wires:** 16", 600V Rated
- Approvals:** UL Listed, UL916, C-UL, RoHS
- Agency Compliance:** FCCID: SZV-TCM320U
IC: 5713A-TCM320U
- Housing Rating:** UL Accepted for Use in Plenum, NEMA 1
- Gold Flash:** No
- Override Switch:** No
- Frequency:** 902 MHz
- Receiver Sensitivity:** -93 dBm typical
- Conducted Power:** 5 mW typical
- Built-in Switch Modes:** Alarm, Repeater, Delay, Rocker, Momentary, and Toggle

- Contact Ratings:**
- 20 Amp Resistive @ 277 Vac
- 20 Amp Ballast @ 277 Vac
- 16 Amp Electronic Ballast @ 277 Vac (N/O)
- 10 Amp Tungsten @ 120 Vac (N/O)
- 770 VA Pilot Duty @ 120 Vac
- 1,110 VA Pilot Duty @ 277 Vac
- 2 HP @ 277 Vac
- 1 HP @ 120 Vac

- Power Input Ratings:**
- 73 mA @ 120 Vac ; 60 Hz

- Notes:**
- Compatible with EnOcean® 902 MHz Switches/Transmitters.
- Typical range: 50-150 ft.
- Open area transmission could be farther. Consult factory for more information.
- Repeater function only rebroadcasts original EnOcean® transmission. Up to two repeaters can be used.
- Version 1.5 firmware or later implements Functional Devices, Inc.'s EnOcean® Manufacturer ID of 0x055.
- For setup instructions, see website for FDLR Series Application Manual: https://www.functionaldevices.com/wp-content/uploads/2021/12/B2126_393251.pdf
- EEP A5-30-02