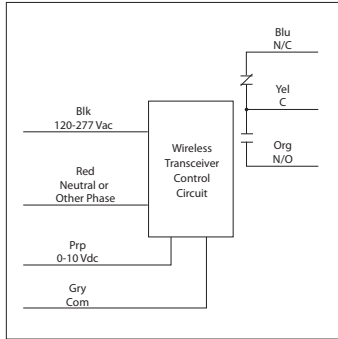


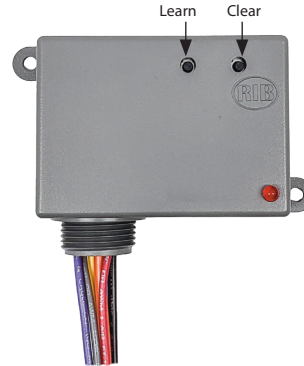
20 AMP WIRELESS CONTROL RELAY

FDLR20GV

EnOcean 902 MHz Wireless Relay, Transceiver / Repeater, 20 Amp SPDT, 120-277 Vac Power Input, 0-10 Vdc Analog Output, NEMA 1 Housing



Relay has built-in repeater function. Relay receives signal from wireless switch transmitter and rebroadcasts the signal to the next relay receiver.



SPECIFICATIONS

- # Relays & Contact Type:** One (1) SPDT Continuous Duty Coil
- Expected Relay Life:** 10 million cycles minimum mechanical
- Operating Temperature:** -30 to 140° F
- Humidity Range:** 5 to 95% (noncondensing)
- Red LED:** Relay Status / Learn Mode Status (Flashing)
- Dimensions:** 2.39"H x 3.31"W x 1.81"D with 0.75"NPT nipple
- Housing Detail:** See **Housing B** in housing guide for dimensions
- Origin:** Made of US and non-US parts
- Wires:** 16", 600V Rated
- Approvals:** UL Listed, UL916, C-UL, RoHS,
- Agency Compliance:** FCCID: SZV-TCM320U
IC: 5713A-TCM320U
- Housing Rating:** UL Accepted for Use in Plenum, NEMA 1
- Gold Flash:** No
- Override Switch:** No
- Frequency:** 902 MHz
- Receiver Sensitivity:** -93 dBm typical
- Conducted Power:** 5 mW typical
- Built-in Switch Modes:** Alarm, Repeater, Delay, Dimming, Rocker, Momentary, and Toggle

- Contact Ratings:**

 - 20 Amp Resistive @ 277 Vac
 - 20 Amp Ballast @ 277 Vac (N/O)
 - 10 Amp Ballast @ 277 Vac (N/C)
 - 16 Amp Electronic Ballast @ 277 Vac (N/O)
 - 10 Amp Tungsten @ 120 Vac (N/O)
 - 770 VA Pilot Duty @ 120 Vac
 - 1,110 VA Pilot Duty @ 277 Vac
 - 2 HP @ 277 Vac
 - 1 HP @ 120 Vac

- Power Input Ratings:**

 - 39 mA max @ 120-277 Vac

- 0-10 Vdc Output Ratings:**

 - 10 mA Sourcing
 - 50 mA Sinking

- Notes:**

 - Compatible with EnOcean® 902 MHz Switches/Transmitters.
 - Typical range: 50-150 ft.
 - Open area transmission could be farther. Consult factory for more information.
 - Repeater function only rebroadcasts original EnOcean® transmission. Up to two repeaters can be used.
 - For setup instructions, see website for FDLR Series Application Manual: https://www.functionaldevices.com/wp-content/uploads/2021/12/B2126_393251.pdf
 - EEP A5-11-01