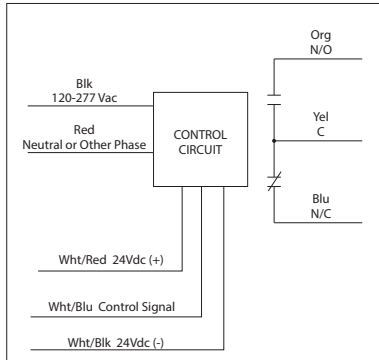


POWER PACK

LR21BPP5

Universal Power Pack, 20 Amp SPDT + Momentary Push Button Override Switch, 120-277 Vac
 Universal Voltage Power Input, 5 Watt Class 2 Output, NEMA 1 Housing



SPECIFICATIONS

- # Relays & Contact Type:** One (1) SPDT Continuous Duty Coil
- Expected Relay Life:** 10 million cycles minimum mechanical
- Operating Temperature:** -30 to 104° F
- Humidity Range:** 5 to 95% (noncondensing)
- Operate Time:** 1.8 Seconds
- Relay Status:** Red LED On = Activated
- Power Status:** Green LED On = 24Vdc out
- Dimensions:** 2.39"H x 3.31"W x 1.81"D with 0.75" NPT nipple
- Housing Detail:** See **Housing B** in housing guide for dimensions
- Origin:** Made of US and non-US parts
- Wires:** 16", 600V Rated
- Approvals:** UL Listed, UL916, C-UL, CE, RoHS
- Housing Rating:** UL Accepted for Use in Plenum, NEMA 1
- Gold Flash:** No
- Momentary Override:** Yes

- Contact Ratings:**
- 20 Amp Resistive @ 277 Vac
- 5 Amp Resistive @ 480 Vac
- 20 Amp Ballast @ 277 Vac
- 16 Amp Electronic Ballast @ 277 Vac (N/O)
- 10 Amp Tungsten @ 120 Vac (N/O)
- 770 VA Pilot Duty @ 120 Vac (N/C)
- 1100 VA Pilot Duty @ 277 Vac (N/C)
- 2 HP @ 277 Vac
- 1 HP @ 120 Vac

- Power Input:**
- 250 mA @ 120-277 Vac

- DC Output:**
- 24 Vdc @ 210mA, Class 2

OCCUPANCY SENSOR APPLICATION

The LR21BPP5 can be used to provide power to an occupancy sensor and control a lighting load based on the status of the occupancy sensor. The white/red and white/black wires can be used to power an occupancy sensor with 24Vdc. When the white/blue wire is connected to the white/red wire through the occupancy sensor contact, the relay will activate, switching the lighting load On or Off.

