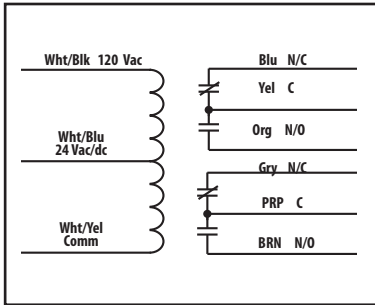


20 AMP POWER CONTROL RELAY

LR2401B2G

Power Relay, 20 Amp DPDT, 24 Vac/dc/120 Vac Coil, NEMA 1 Housing



SPECIFICATIONS

- # Relays & Contact Type: DPDT Continuous Duty Coil
- Expected Relay Life: 10 million cycles minimum mechanical
- Operating Temperature: -30 to 140° F
- Humidity Range: 5 to 95% (noncondensing)
- Operate Time: 18ms
- Relay Status: LED On = Activated
- Dimensions: 2.39"H x 3.31"W x 1.81"D with 0.75" NPT nipple
- Housing Detail: See **Housing B** in housing guide for dimensions
- Origin: Made of US and non-US parts
- Wires: 16", 600V Rated
- Approvals: UL Listed, UL916, C-UL, CE, RoHS
- Housing Rating: UL Accepted for Use in Plenum, NEMA 1
- Gold Flash: No
- Override Switch: No

- Contact Ratings:**
 - 20 A @ 277 Vac General Purpose
 - 20 A @ 28 Vdc
 - 1 HP @ 120 Vac
 - 2 HP @ 277 Vac
 - 2 HP @ 240 Vac (N/O)
 - 1 HP @ 208 Vac (N/O)
 - 20 A Ballast @ 277 Vac
 - 15 A Tungsten @ 120 Vac (N/O)
 - 5 A @ 480 Vac Resistive
 - 16 A @ 277 Vac Electronic Ballast (N/O)
 - 1110 VA Pilot Duty @ 277 Vac
 - 1158 VA Pilot Duty @ 240 Vac (N/O)
 - 770 VA Pilot Duty @ 208 Vac (N/O)
 - 770 VA Pilot Duty @ 120 Vac
 - 2 A Tungsten @ 120 Vac (N/C)

- Coil Current:**
 - 145 mA max @ 24 Vac
 - 65 mA max @ 30 Vdc
 - 107 mA @ 120 Vac

- Coil Voltage Input:**
 - 24 Vac/dc ; 120 Vac ; 50-60 Hz
 - Drop Out = 13.5 Vac / 15.5 Vdc
 - Pull In = 18 Vac / 22 Vdc