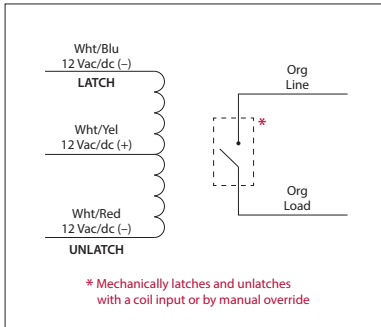


LATCHING RELAY

LRL12SB

Mechanically Latching Relay, 20 Amp SPST + True Override, 12 Vac/dc Coil, NEMA 1 Housing



SPECIFICATIONS

Relays & Contact Type: One (1) SPST Latching Relay, Dual Coil
Expected Relay Life: 1 million cycles minimum mechanical
Operating Temperature: -30 to 140° F
Humidity Range: 5 to 95% (noncondensing)
Operate Time: 50ms
Maximum Pulse Length: 30 seconds
Dimensions: 1.70"H x 2.80"W x 1.50"D with 0.50" NPT nipple
Housing Detail: See **Housing A** in housing guide for dimensions
Origin: Made of US and non-US parts
Wires: 16", 600V Rated
Approvals: UL Listed, UL60947, C-UL, CE, RoHS
Housing Rating: UL Accepted for Use in Plenum, NEMA 1
Gold Flash: No
Override Switch: Yes

Contact Ratings:
 20 Amp Resistive @ 120-277 Vac
 20 Amp Ballast @ 120-277 Vac
 16 Amp Electronic Ballast @ 120-277 Vac
 5540 Watt Tungsten @ 277 Vac
 720 VA Pilot Duty @ 120-277 Vac
 2 HP @ 277 Vac
 3 HP @ 240 Vac
 1.5 HP @ 120 Vac

Coil Current:
 182 mA @ 10 Vac
 250 mA @ 12 Vac
 165 mA @ 10 Vdc
 198 mA @ 12 Vdc
 250 mA @ 15 Vdc
Latch / Unlatch:
 Min. 10 Vdc / 11 Vac

Notes:

- Application of momentary voltage on latch coil (Wht/Blu & Wht/Yel) will close the contact.
- Application of momentary voltage on unlatch coil (Wht/Red & Wht/Yel) will open the contact.