

DAYLIGHT HARVESTING & ON/OFF PHOTOCELL SENSOR

LSDHPDC

Daylight Harvesting Sensor and ON/OFF Photocell, Ceiling Mount, 0-10 V Dimming

SPECIFICATIONS

- Operating Voltage:** 12-24Vac/dc
- Current Draw:** 2mA
- Dimming Capacity:** 50mA
- Dimming Compatibility:** 0-10Vdc Ballasts or Drivers Compliant with IEC 60929 Annex E.2
- Photocell Output:** Logic High Vdc
- Recommended Power:** LR21BPP5
- Pack:** 4.00" Diameter x 1.25" Height(10.16 cm x 3.17 cm)
- Dimensions:** Indoor use only
- Environment:** 32° to 122° F (0° to 50° C)
0-95% relative humidity (non-condensing)
Sensors can be used to meet ASHRAE 90.1, IECC, &
- Code Compliance:** Title 24 energy code requirements



Notes:

There are two types of photocell operation; ON/OFF PHOTOCELL CONTROL and DAYLIGHT HARVESTING CONTROL (see descriptions below). A photocell sensor can be used by itself (e.g., STANDALONE operation) or together with low voltage occupancy sensors. Only one photocell sensor should be configured to control any particular group of lights

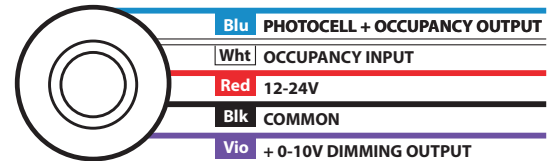
ON/OFF Photocell Control: Recommended for public spaces (hallways, entryways, etc) where fully switching lighting off/on will not be noticed. Photocell output (blue wire) will turn lights off if ambient light levels surpass threshold and back on if level drops.

To prevent cycling of lights back on after lighting is turned off, a "deadband" level equal to the measured level of light being controlled is continuously maintained in the unit. For lighting to turn off the ambient light level must be higher than the sum of the setpoint and the deadband.

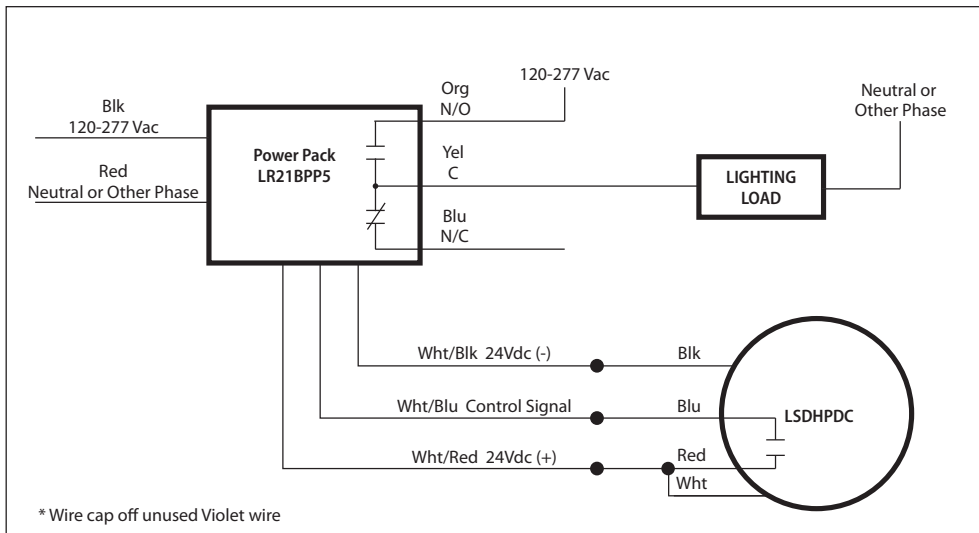
Daylight Harvesting Control: Recommended for spaces where it is important to not distract occupants (e.g., offices, classrooms). Unit will gradually dim lighting in order to maximize energy savings while maintaining desired overall lighting level. After dimming to low trim level, unit can optionally be enabled to turn off lights completely. This is a sinking input, no voltage will be read while applying a meter to purple and black wires.

For installation instructions: https://www.functionaldevices.com/downloads/bulletins/B2871_393311.pdf

BASIC WIRING

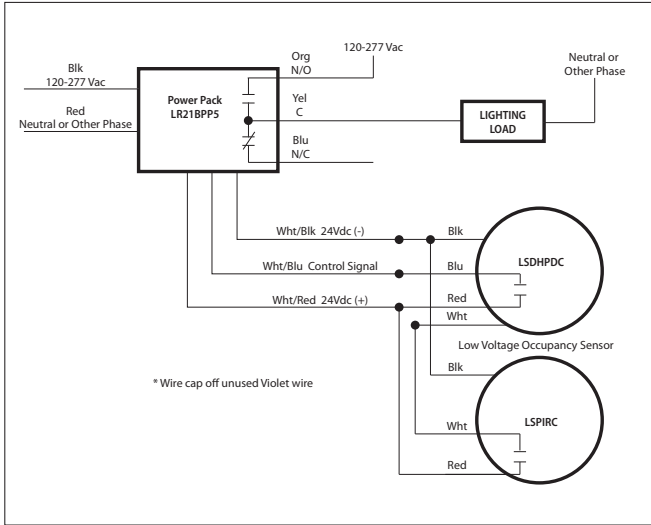


STANDALONE ON/OFF PHOTOCELL APPLICATION

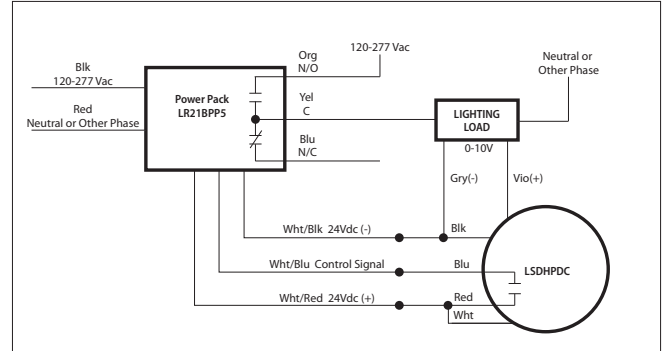


DAYLIGHT HARVESTING & ON/OFF PHOTOCELL SENSOR APPLICATIONS

ON/OFF PHOTOCELL + OCCUPANCY APPLICATION



STANDALONE DAYLIGHT HARVESTING APPLICATION



DAYLIGHT HARVESTING + OCCUPANCY SENSOR(S) APPLICATION

