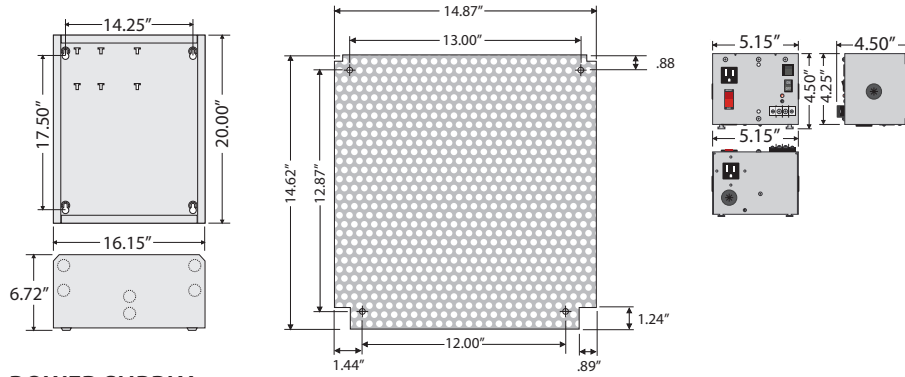


AC POWER SUPPLY

MHP4604100AB10

Single 100 VA Power Supply, Perforated Steel Sub-panel Mounted, 16.15" x 20.0" x 6.72" Metal Enclosure



POWER SUPPLY (PS100AB10)

Transformer: One 100 VA Split-Bobbin
Over Current Protection: Circuit Breaker
Frequency: 50/60 Hz
24 Vac ON/OFF: On / Off Switch & Breaker
Main Breaker ON/OFF: Switch / Breaker (10 Amp)
 (Kills power to entire unit: Outlets, Aux. Output, & Transformer)
 Total Combined Output 9A
Approvals: Class 2 (UL Approved UL5085-3), UL916, C-UL, CE, RoHS
Dimensions: 4.500" H x 5.150" W x 4.500" D
Origin: Made of US and non-US parts

Input Wires: Input Power Wires
 BLK: 120 Vac
 WHT: Neutral
 GRN: Ground
Outlet Wires
 BLK: 120 Vac
 WHT: Neutral
 GRN: Ground
Output Wires: Auxiliary Output
 BLU: 120 Vac

Notes:
 • Output derating may exceed 20% due to elevated ambient temperature or heat buildup in device over time.
 • Design is in accordance with ASCE 7-05 Chapter 13

METAL HOUSING (MH4600)

Construction: 14 Gauge Steel
Cover Type: Reversible Hook Hinge Key Latch Door
Approvals: UL Listed, C-UL, CE Approved, RoHS
Dimensions: 16.15" (W) x 20.00" (H) x 6.72" (D)

PERFORATED STEEL SUB-PANEL (SP4604)

Mounting Area: 214.85" square
Approvals: Plenum Rated
Dimensions: 14.62" x 14.87"