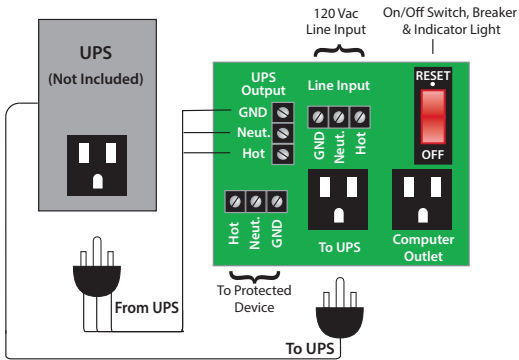


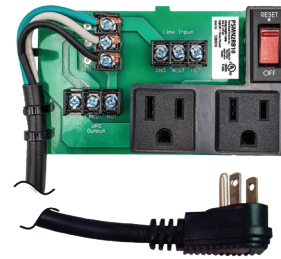
**UPS INTERFACE MODULE**

**PSMN2RB10**

UPS Power Control Center, 10 Amp Switch / Circuit Breaker, 120 Vac, 2 Outlets, Terminals, 2.75" Track Mount



**BUY SEPARATELY  
AND PLACE IN  
AN ENCLOSURE  
OF YOUR CHOICE**



**SPECIFICATIONS**

- Operating Temperature:** -30 to 140° F
- Humidity Range:** 5 to 95% (noncondensing)
- Main Breaker ON/OFF:** Switch / Breaker (10 Amp)
- Dimensions:** 4.75"H x 2.75"W x 1.25"D1/1.75"D2
- Housing Detail:** See **Housing H** in housing guide for dimensions
- Origin:** Made of US and non-US parts
- Track Mount:** 2.750" x 6.000"  
MT212-6N Mounting Track Included
- Approvals:** UL Listed, UL916, C-UL, CE, RoHS

**Notes:**

- Circuit breaker for short protection.
- 14/3 Line Cord included (3').
- Use with UPS devices rated 1000 VA or less.
- UPS is not included.