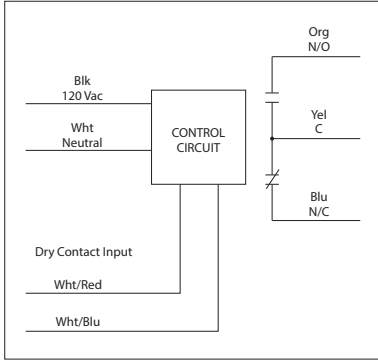


DRY CONTACT INPUT RELAYS

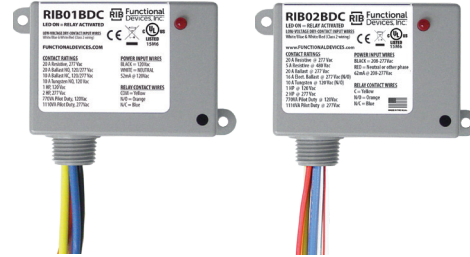
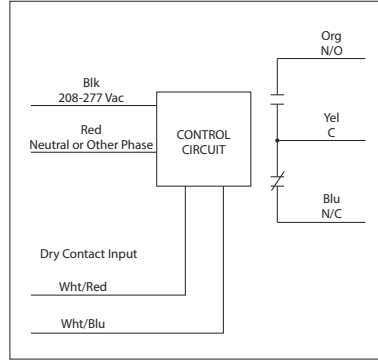
RIB01BDC

Dry Contact Relay, 20 Amp SPDT, Class 2 Dry Contact Input, 120 Vac Power Input, NEMA 1 Housing



RIB02BDC

Dry Contact Relay, 20 Amp SPDT, Class 2 Dry Contact Input, 208-277 Vac Power Input, NEMA 1 Housing



SPECIFICATIONS

- # Relays & Contact Type: One (1) SPDT Continuous Duty Coil
- Expected Relay Life: 10 million cycles minimum mechanical
- Operating Temperature: -30 to 140° F
- Humidity Range: 5 to 95% (noncondensing)
- Operate Time: 1.8 Seconds
- Relay Status: LED On = Activated
- Dimensions: 2.39"H x 3.31"W x 1.81"D with 0.50" NPT nipple
- Housing Detail: See **Housing B** in housing guide for dimensions
- Origin: Made of US and non-US parts
- Wires: 16", 600V Rated
- Approvals: UL Listed, UL916, C-UL, CE, RoHS
- Housing Rating: UL Accepted for Use in Plenum, NEMA 1
- Gold Flash: No
- Override Switch: No

- Contact Ratings:
 - 20 Amp Resistive @ 277 Vac
 - 1110 VA Pilot Duty @ 277 Vac
 - 770 VA Pilot Duty @ 120 Vac
 - 20 Amp Ballast @ 277 Vac
 - 16 Amp Electronic Ballast @ 277 Vac (N/O)
 - 10 Amp Tungsten @ 120 Vac (N/O)
 - 240 Watt Tungsten @ 120 Vac (N/C)
 - 2 HP @ 277 Vac
 - 1 HP @ 120 Vac

- Power Input:
 - 42 mA @ 120 Vac (RIB01BDC)
 - 62 mA @ 208-277 Vac (RIB02BDC)

- Notes:
 - Dry Contact Input Operation: Close White/Red wire to White/Blue wire to activate relay. If more than one dry contact RIB[®] shares a single dry contact input, White/Blue must be common.