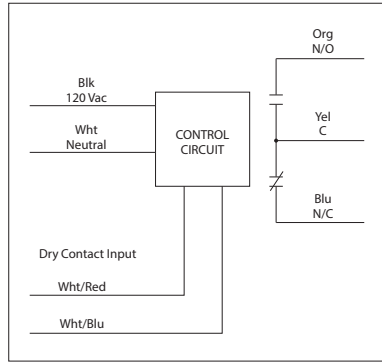


## DRY CONTACT INPUT RELAYS

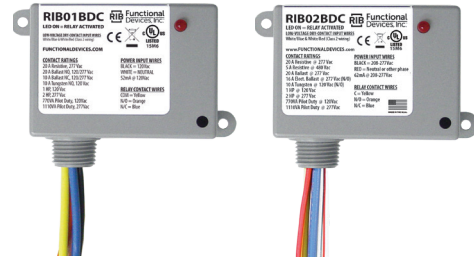
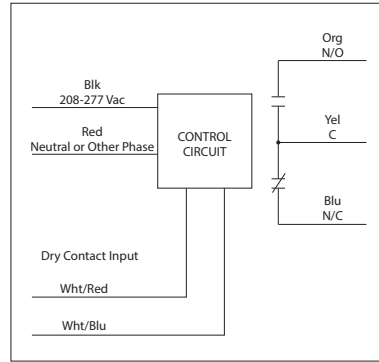
### RIB01BDC

Dry Contact Relay, 20 Amp SPDT, Class 2 Dry Contact Input, 120 Vac Power Input, NEMA 1 Housing



### RIB02BDC

Dry Contact Relay, 20 Amp SPDT, Class 2 Dry Contact Input, 208-277 Vac Power Input, NEMA 1 Housing



## SPECIFICATIONS

- # Relays & Contact Type: One (1) SPDT Continuous Duty Coil
- Expected Relay Life: 10 million cycles minimum mechanical
- Operating Temperature: -30 to 140° F
- Humidity Range: 5 to 95% (noncondensing)
- Operate Time: 1.8 Seconds
- Relay Status: LED On = Activated
- Dimensions: 2.39"H x 3.31"W x 1.81"D with 0.50" NPT nipple
- Housing Detail: See **Housing B** in housing guide for dimensions
- Origin: Made of US and non-US parts
- Wires: 16", 600V Rated
- Approvals: UL Listed, UL916, C-UL, CE, RoHS
- Housing Rating: UL Accepted for Use in Plenum, NEMA 1
- Gold Flash: No
- Override Switch: No

- Contact Ratings:
- 20 Amp Resistive @ 277 Vac
- 1110 VA Pilot Duty @ 277 Vac
- 770 VA Pilot Duty @ 120 Vac
- 20 Amp Ballast @ 277 Vac
- 16 Amp Electronic Ballast @ 277 Vac (N/O)
- 10 Amp Tungsten @ 120 Vac (N/O)
- 240 Watt Tungsten @ 120 Vac (N/C)
- 2 HP @ 277 Vac
- 1 HP @ 120 Vac

- Power Input:
- 42 mA @ 120 Vac (RIB01BDC)
- 62 mA @ 208-277 Vac (RIB02BDC)

- Notes:
- Dry Contact Input Operation: Close White/Red wire to White/Blue wire to activate relay. If more than one dry contact RIB<sup>®</sup> shares a single dry contact input, White/Blue must be common.