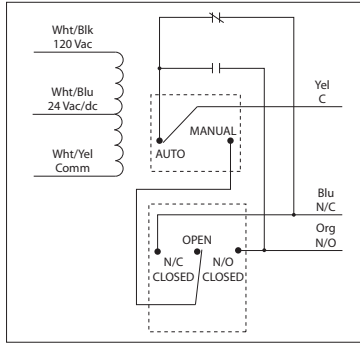


20 AMP POWER CONTROL RELAYS

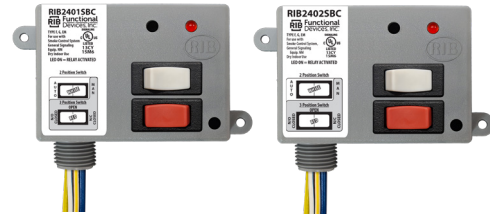
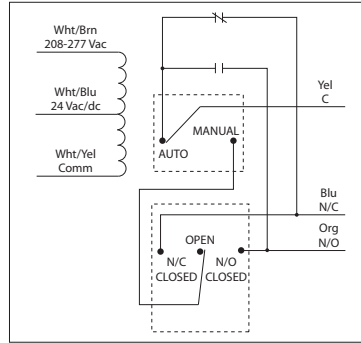
RIB2401SBC

Power Relay, 20 Amp SPDT + Override,
 24 Vac/dc/120 Vac Coil, NEMA 1 Housing



RIB2402SBC

Power Relay, 20 Amp SPDT + Override,
 24 Vac/dc/208-277 Vac Coil, NEMA 1 Housing



SPECIFICATIONS

- # Relays & Contact Type:** One (1) SPDT Continuous Duty Coil
- Expected Relay Life:** 10 million cycles minimum mechanical
- Operating Temperature:** -30 to 140° F
- Humidity Range:** 5 to 95% (noncondensing)
- Operate Time:** 18ms
- Relay Status:** LED On = Activated
- Dimensions:** 2.390"H x 3.310"W x 1.810"D with .50" NPT Nipple
- Housing Detail:** See **Housing B** in housing guide for dimensions
- Origin:** Made of US and non-US parts
- Wires:** 16", 600V Rated
- Approvals:** UL Listed, UL916, UL864, C-UL
 California State Fire Marshal, CE, RoHS
- Housing Rating:** UL Accepted for Use in Plenum, NEMA 1
- Gold Flash:** No
- Override Switch:** Yes (2)

- Contact Ratings:**
- 20 Amp Resistive @ 277 Vac
- 20 Amp Ballast @ 277 Vac (N/O)
- 10 Amp Ballast @ 277 Vac (N/C)
- Not rated for Electronic Ballast
- 10 Amp Tungsten @ 120 Vac (N/O)
- 770 VA Pilot Duty @ 120 Vac
- 1,110 VA Pilot Duty @ 277 Vac
- 2 HP @ 277 Vac
- 1 HP @ 120 Vac

- Coil Current:**
- 50 mA @ 18 Vac
- 83 mA @ 24 Vac
- 47 mA @ 120 Vac (RIB2401SBC)
- 69 mA @ 208-277 Vac (RIB2402SBC)
- 33 mA @ 22 Vdc
- 35 mA @ 24 Vdc
- 47 mA @ 30 Vdc
- Coil Voltage Input:**
- 24 Vac/dc ; 120 Vac ; 50-60 Hz (RIB2401SBC)
- 24 Vac/dc ; 208-277 Vac ; 50-60 Hz (RIB2402SBC)
- Drop Out = 2.1 Vac / 3.8 Vdc
- Pull In = 18 Vac / 22 Vdc