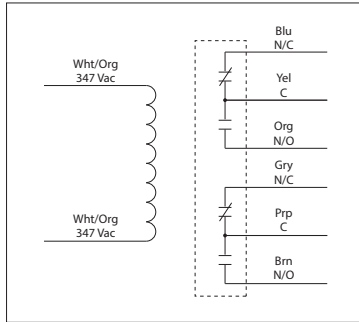


20 AMP POWER CONTROL RELAYS

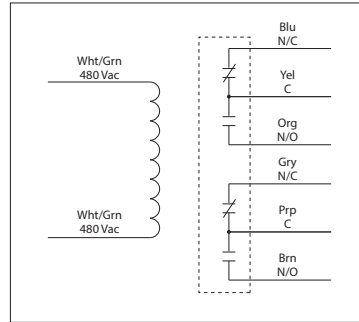
RIB347P

Power Relay, 20 Amp DPDT, 347 Vac Coil, NEMA 1 Housing



RIB04P

Power Relay, 20 Amp DPDT, 480 Vac Coil, NEMA 1 Housing



SPECIFICATIONS

Relays & Contact Type: One (1) DPDT Continuous Duty Coil
Expected Relay Life: 10 million cycles minimum mechanical
Operating Temperature: -30 to 140° F
Humidity Range: 5 to 95% (noncondensing)
Operate Time: 18ms
Relay Status: LED On = Activated
Dimensions: 4.000"H x 4.000"W x 1.810"D with .50" NPT Nipple
Housing Detail: See **Housing C** in housing guide for dimensions
Origin: Made of US and non-US parts
Wires: 16", 600V Rated
Approvals: UL Listed, UL916, C-UL, CE, RoHS (Both Models)
 UL864, California State Fire Marshal (RIB04P)
Housing Rating: UL Accepted for Use in Plenum, NEMA 1
Gold Flash: Yes
Override Switch: No

Contact Ratings:
 20 Amp Resistive @ 300 Vac
 20 Amp Resistive @ 28 Vdc
 20 Amp Ballast @ 277-480 Vac
 15 Amp Resistive @ 600 Vac
Not rated for Electronic Ballast
 770 VA Pilot Duty @ 120 Vac
 1,158 VA Pilot Duty @ 240 Vac
 1,109 VA Pilot Duty @ 277 Vac
 1,640 VA Pilot Duty @ 480 Vac
 Heavy Pilot Duty @ 600 Vac
 3 HP @ 480-600 Vac
 2 HP @ 240-277 Vac
 1 HP @ 120 Vac

Coil Current:
 105 mA @ 347 Vac (RIB347P)
 105 mA @ 480 Vac (RIB04P)

Coil Voltage Input:
 RIB347P
 347 Vac ; 50-60 Hz
 Drop Out = 70 Vac
 Pull In = 295 Vac

RIB04P
 480 Vac ; 50-60 Hz
 Drop Out = 140 Vac
 Pull In = 340 Vac