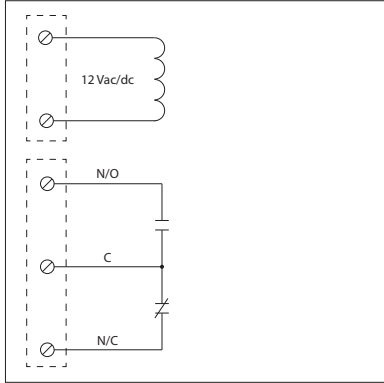


10 AMP PILOT CONTROL TRACK OR DIN MOUNT RELAYS

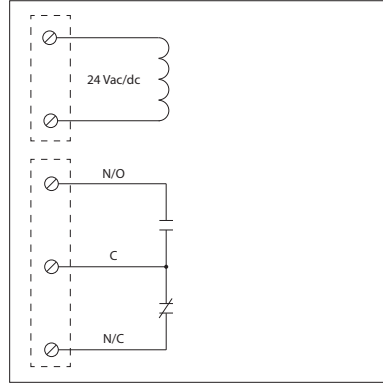
RIBAN12C

Pilot Relay, 10 Amp SPDT, 12 Vac/dc Coil, DIN Rail Mountable, Current Sensor Mount Option, 2.75" Track Mount



RIBAN24C

Pilot Relay, 10 Amp SPDT, 24 Vac/dc Coil, DIN Rail Mountable, Current Sensor Mount Option, 2.75" Track Mount



REMOVABLE TERMINALS

SPECIFICATIONS

Relays & Contact Type: One (1) SPDT Continuous Duty Coil
Expected Relay Life: 10 million cycles minimum mechanical
Operating Temperature: -30 to 140° F
Operate Time: 6ms
Relay Status: LED On = Activated
Dimensions: 2.85"H x 2.75"W x 1.03"D
Housing Detail: See **Housing I** in housing guide for dimensions
Origin: Made of US and non-US parts
Terminals: Removable, Accepts 22-16 AWG copper wires
Mounting: A: 2.75" Track Mount
 MT212 Mounting Track Sold Separately.
 B: 35mm x 7.5mm symmetrical DIN rail EN50022
 C: Screw Mount
 DS80625 Self-Tapping Drill Screws Sold Separately.
 D: Current Sensor Mount
 Current Sensors Sold Separately.
Approvals: UL Listed, UL508, C-UL, CE, RoHS
Gold Flash: No
Override Switch: No

Contact Ratings:
 10 Amp General Use @ 277 Vac
 10 Amp Resistive @ 30 Vdc (N/O)
 7 Amp Resistive @ 30 Vdc (N/C)
 1/2 HP @ 125 Vac
 1 HP @ 250 Vac
 1/4 HP @ 277 Vac
 C300 Pilot Duty

Coil Voltage Input: (RIBAN12C)
 12 Vac/dc ; 50-60 Hz
 Drop Out = 2 Vac / 2.5 Vdc
 Pull In = 9 Vac / 11 Vdc

Coil Current: (RIBAN12C)
 53 mA @ 10 Vac
 62 mA @ 12 Vac
 29 mA @ 11 Vdc
 35 mA @ 12 Vdc

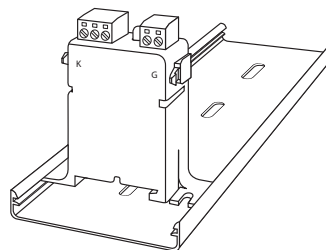
Notes:
 • Set of replacement terminals available. Order model number: TS-AN

Coil Voltage Input: (RIBAN24C)
 24 Vac/dc ; 50-60 Hz
 Drop Out = 3 Vac / 3.8 Vdc
 Pull In = 20 Vac / 20 Vdc

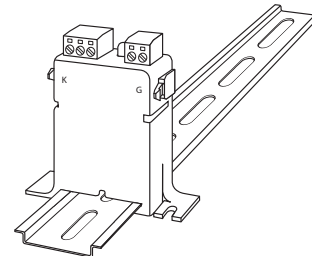
Coil Current: (RIBAN24C)
 26 mA @ 20 Vac
 31 mA @ 24 Vac
 14 mA @ 20 Vdc
 18 mA @ 24 Vdc
 28 mA @ 35 Vdc

RELAY MOUNTING OPTIONS A & B

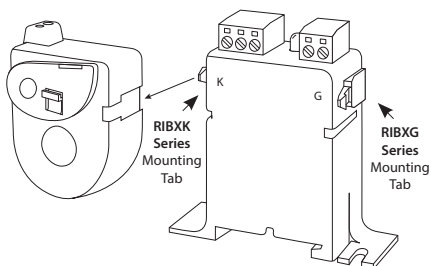
Mounting Option A:
 2.75" Track Mount
 MT212 Series



Mounting Option B:
 35mm x 7.5mm symmetrical
 DIN rail EN50022



CURRENT SENSOR MOUNTING OPTION D



1. Slide current sensor onto corresponding mounting tab.
2. Snap into place.
3. Depress tab to remove current sensor.

