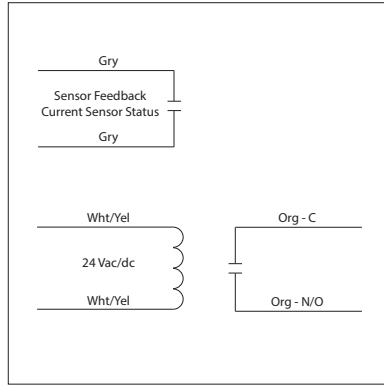


RELAY & AC CURRENT SWITCH COMBO

RIBHX24BA

Current Switch and Relay Combination, 20 Amp SPST-N/O, Adjustable, 24 Vac/dc Coil, NEMA 1 Housing



SPECIFICATIONS

Expected Relay Life: 10 million cycles minimum mechanical
Operating Temperature: -30 to 140° F
Humidity Range: 5 to 95% (noncondensing)
Operate Time: 20ms
Relay Status: Red or Green LED On = Activated
Current Sensor Status: Green LED On = Current Over Trip Point Adjustable
Dimensions: 1.70"H x 2.80"W x 1.50"D with 0.50" NPT nipple
Housing Detail: See **Housing A** in housing guide for dimensions
Origin: Made of US and non-US parts
Wire Length: 16", 600V Rated
Approvals: UL Listed, UL916, C-UL, CE, RoHS
Housing Rating: UL Accepted for Use in Plenum, NEMA 1
Gold Flash: No

Contact Ratings:
 20 Amp Resistive @ 277 Vac
 20 Amp Ballast @ 277 Vac
 16 Amp Electronic Ballast @ 277 Vac (N/O)
 10 Amp Tungsten @ 120 Vac (N/O)
 1,110 VA Pilot Duty @ 277 Vac
 770 VA Pilot Duty @ 120 Vac
 2 HP @ 277 Vac
 1 HP @ 120 Vac

Sensor Contact:
 • When current sensor status is off (open), leakage <30 uA @ 30Vac/dc
 • When current sensor status is on (closed), voltage drop <.3 Vac/dc @ .1 Amp

Coil Current:
 128 mA @ 24 Vac
 71 mA @ 30 Vdc

Sensor Type: Internal, with contact status
Sensor Threshold: Adjustable
Sensor Range: .25-20 Amps
Sensor Feedback Output: Solid State Contact 30 Vac/dc, 100 mA

Coil Voltage Input:
 24 Vac ; 50-60 Hz
 Drop Out = 3 Vac
 Pull In = 18 Vac