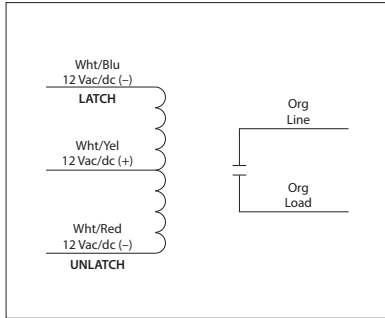


LATCHING RELAY

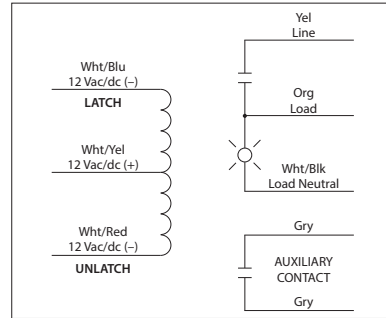
RIBL12B

Mechanically Latching Relay, 20 Amp SPST, 12 Vac/dc Coil, NEMA 1 Housing



RIBL12BM

Mechanically Latching Relay, 20 Amp SPST, 12 Vac/dc Coil, Status LED, Auxiliary Output, NEMA 1 Housing



SPECIFICATIONS

Relays & Contact Type: One (1) SPST Latching Relay, Dual Coil

Expected Relay Life: 1 million cycles minimum mechanical

Operating Temperature: -30 to 140° F

Humidity Range: 5 to 95% (noncondensing)

Operate Time: 50ms

Maximum Pulse Length: 30 seconds

Relay Status / Auxiliary: (RIBL12BM)

Contact Closed: LED On = Voltage Detected on Load Wire (RIBL12BM)

Dimensions: 1.70"H x 2.80"W x 1.50"D with 0.50" NPT nipple (RIBL12B)

2.39"H x 3.31"W x 1.81"D with 0.50" NPT nipple (RIBL12BM)

Housing Detail: See **Housing A** (RIBL12B) or **Housing B** (RIBL12BM) in housing guide for dimensions

Origin: Made of US and non-US parts

Wires: 16", 600V Rated

Approvals: UL Listed, UL60947, C-UL, CE, RoHS

Housing Rating: UL Accepted for Use in Plenum, NEMA 1

Gold Flash: No

Contact Ratings:

20 Amp Resistive @ 120-277 Vac

20 Amp Ballast @ 120-277 Vac

16 Amp Electronic Ballast @ 120-277 Vac

5540 Watt Tungsten @ 277 Vac

720 VA Pilot Duty @ 120-277 Vac

2 HP @ 277 Vac

3 HP @ 240 Vac

1.5 HP @ 120 Vac

Coil Current:

182 mA @ 10 Vac

250 mA @ 12 Vac

165 mA @ 10 Vdc

198 mA @ 12 Vdc

250 mA @ 15 Vdc

Latch / Unlatch: Min. 10 Vdc / 11 Vac

Auxiliary Contact: 3 Amp @ 30 Vac/dc max. (RIBL12BM)

Notes:

- Application of voltage on latch coil (Wht/Blu & Wht/Yel) will close the contact.
- Application of voltage on unlatch coil (Wht/Red & Wht/Yel) will open the contact.
- Voltage should not be applied to the coil for more than 30 seconds.
- Auxiliary contact and status LED activate when 120-277 Vac is applied between Load (Org) wire and Load Neutral (Wht/Blk) wire. (RIBL12BM)