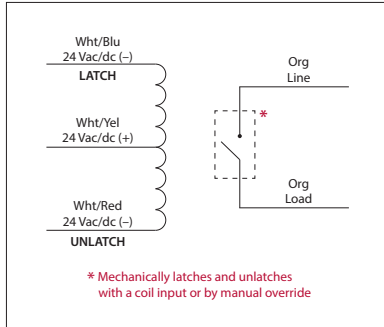


LATCHING RELAYS

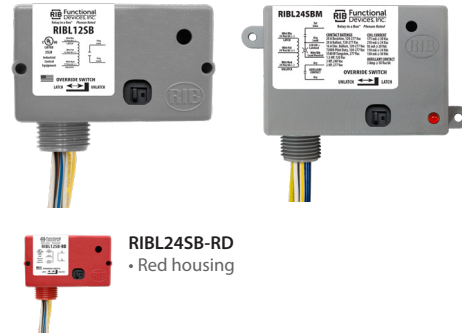
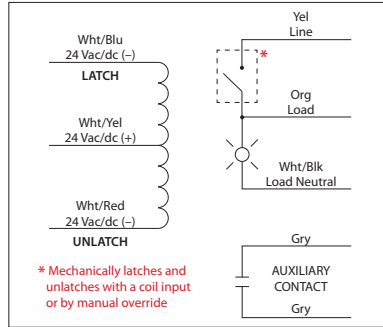
RIBL24SB

Mechanically Latching Relay, 20 Amp SPST
 + True Override, 24 Vac/dc Coil, NEMA 1
 Housing



RIBL24SBM

Mechanically Latching Relay, 20 Amp SPST
 + True Override, 24 Vac/dc Coil, Status LED,
 Auxiliary Output, NEMA 1 Housing



SPECIFICATIONS

Relays & Contact Type: One (1) SPST Latching Relay, Dual Coil

Expected Relay Life: 1 million cycles minimum mechanical

Operating Temperature: -30 to 140° F

Humidity Range: 5 to 95% (noncondensing)

Operate Time: 50ms

Maximum Pulse Length: 30 seconds

Relay Status / Auxiliary: (RIBL24SBM)

Contact Closed: LED On = Voltage Detected on Load Wire (RIBL24SBM)

Dimensions: 1.70"H x 2.80"W x 1.50"D with 0.50" NPT nipple (RIBL24SB)
 2.39"H x 3.31"W x 1.81"D with 0.50" NPT nipple (RIBL24SBM)

Housing Detail: See **Housing A** (RIBL24SB) or **Housing B** (RIBL24SBM)
 in housing guide for dimensions

Origin: Made of US and non-US parts

Wires: 16", 600V Rated

Approvals: UL Listed, UL60947, C-UL, CE, RoHS

Housing Rating: UL Accepted for Use in Plenum, NEMA 1

Gold Flash: No

Override Switch: Yes

Contact Ratings:

20 Amp Resistive @ 120-277 Vac

20 Amp Ballast @ 120-277 Vac

16 Amp Electronic Ballast @ 120-277 Vac

5540 Watt Tungsten @ 277 Vac

720 VA Pilot Duty @ 120-277 Vac

2 HP @ 277 Vac

3 HP @ 240 Vac

1.5 HP @ 120 Vac

Coil Current:

175 mA @ 20 Vac

210 mA @ 24 Vac

92 mA @ 20 Vdc

110 mA @ 24 Vdc

138 mA @ 30 Vdc

Latch / Unlatch:

Min. 20 Vdc / 22 Vac

Auxiliary Contact:

3 Amp @ 30 Vac/dc max. (RIBL24SBM)

Notes:

- Application of voltage on latch coil (Wht/Blu & Wht/Yel) will close the contact.
- Application of voltage on unlatch coil (Wht/Red & Wht/Yel) will open the contact.
- Voltage should not be applied to the coil for more than 30 seconds.
- Auxiliary contact and status LED activate when 120-277 Vac is applied between Load (Org) wire and Load Neutral (Wht/Blk) wire. (RIBL24SBM)