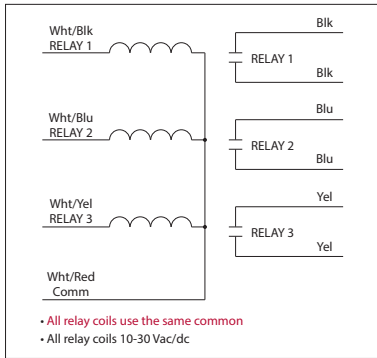


10 AMP PILOT CONTROL RELAYS

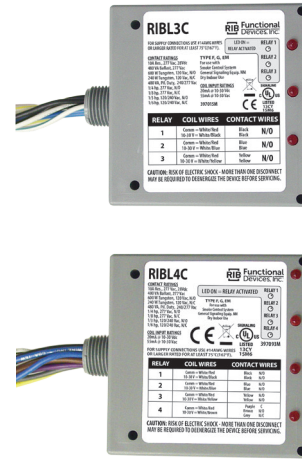
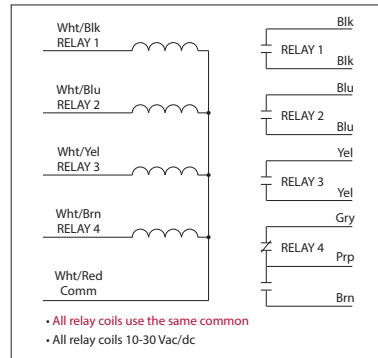
RIBL3C

Pilot Relays, 10 Amp 3 SPST-N/O,
 10-30 Vac/dc Coil, NEMA 1 Housing



RIBL4C

Pilot Relays, 10 Amp 3 SPST-N/O + 1 SPDT,
 10-30 Vac/dc Coil, NEMA 1 Housing



SPECIFICATIONS

Relays & Contact Type: Three (3) SPST Continuous Duty Coil (RIBL3C)
 Three (3) SPST + One (1) SPDT Continuous Duty Coil (RIBL4C)

Expected Relay Life: 10 million cycles minimum mechanical

Operating Temperature: -30 to 140° F

Humidity Range: 5 to 95% (noncondensing)

Operate Time: 20ms

Relay Status: LED On = Activated

Dimensions: 4.00"H x 4.00"W x 1.81"D with 0.50" NPT nipple

Housing Detail: See **Housing C** in housing guide for dimensions

Origin: Made of US and non-US parts

Wires: 16", 600V Rated

Approvals: UL Listed, UL916, UL864, C-UL

California State Fire Marshal, CE, RoHS

Housing Rating: UL Accepted for Use in Plenum, NEMA 1

Gold Flash: Yes

Override Switch: No

Contact Ratings:

10 Amp Resistive @ 277 Vac
 10 Amp Resistive @ 28 Vdc
 480 VA Pilot Duty @ 240-277 Vac
 480 VA Ballast @ 277 Vac
Not rated for Electronic Ballast
 600 Watt Tungsten @ 120 Vac (N/O)
 240 Watt Tungsten @ 120 Vac (N/C)
 1/3 HP @ 120-240 Vac (N/O)
 1/6 HP @ 120-240 Vac (N/C)
 1/4 HP @ 277 Vac (N/O)
 1/8 HP @ 277 Vac (N/C)

Notes:

Order Normally Closed by adding "-NC" to end of model number

Coil Current:

33 mA @ 10 Vac
 35 mA @ 12 Vac
 46 mA @ 24 Vac
 55 mA @ 30 Vac
 13 mA @ 10 Vdc
 15 mA @ 12 Vdc
 18 mA @ 24 Vdc
 20 mA @ 30 Vdc

Coil Voltage Input:

10-30 Vac/dc ; 50-60 Hz
 Drop Out = 2.1 Vac / 2.8 Vdc
 Pull In = 9 Vac / 10 Vdc