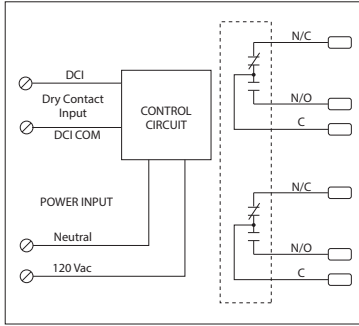


DRY CONTACT INPUT TRACK MOUNT RELAYS

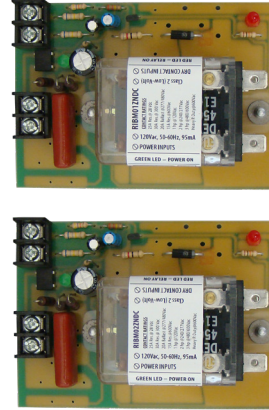
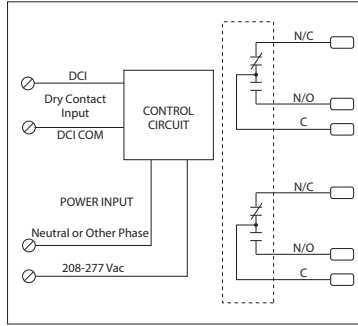
RIBM01ZND

Dry Contact Relay, 30 Amp DPDT, Class 2 Dry Contact Input, 120 Vac Power Input, 4.00" Track Mount



RIBM02ZND

Dry Contact Relay, 30 Amp DPDT, Class 2 Dry Contact Input, 208-277 Vac Power Input, 4.00" Track Mount



SPECIFICATIONS

Relays & Contact Type: One (1) DPDT Continuous Duty Coil

Expected Relay Life: 10 million cycles minimum mechanical

Operating Temperature: -30 to 140° F

Humidity Range: 5 to 95% (noncondensing)

Operate Time: 18ms

Relay Status: Red LED On = Activated

Power Status: Green LED On = Activated

Dimensions: 2.88"H x 4.00"W x 1.50"D1/2.00"D2

Housing Detail: See **Housing H** in housing guide for dimensions

Origin: Made of US and non-US parts

Track Mount: 4.000"

MT4 Mounting Track Sold Separately

Approvals: UL Component Recognized, UL916

C-UL, CE, RoHS

Gold Flash: Yes

Override Switch: No

Contact Ratings:

30 Amp Resistive @ 300 Vac

25 Amp Resistive @ 28 Vdc

15 Amp Resistive @ 600 Vac

3 HP @ 480-600 Vac

2 HP @ 240/277 Vac

1 HP @ 120 Vac

20 Amp Ballast @ 277-480 Vac

Not rated for Electronic Ballast

770 VA @ 120 Vac

1158 VA @ 240 Vac

1109 VA @ 277 Vac

1640 VA @ 480 Vac

NEMA B600 Pilot Duty

Power Input:

95 mA @ 120 Vac (RIBM01ZND)

95 mA @ 208-277 Vac (RIBM02ZND)

Notes:

- Dry Contact Input Operation:** Close dry contact to activate relay.
- If more than one dry contact input RIB shares a single dry contact input, DCI COM must be common.