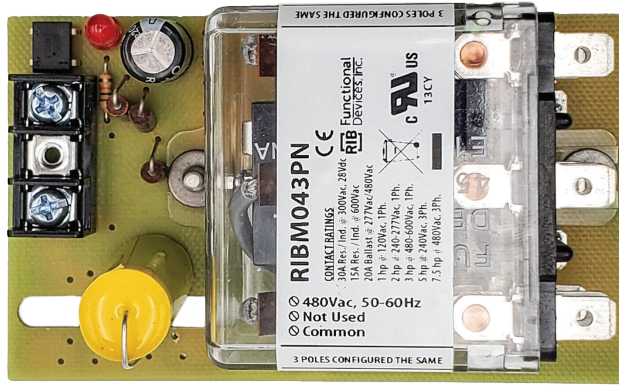
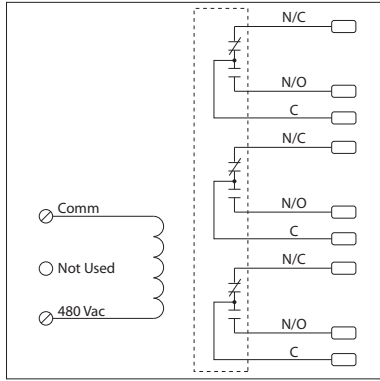


30 AMP TRACK MOUNT CONTROL RELAY

RIBM043PN

Power Relay, 30 Amp 3PDT, 480 Vac Coil, 4.00" Track Mount



SPECIFICATIONS

Relays & Contact Type: One (1) 3PDT Continuous Duty Coil
Expected Relay Life: 10 million cycles minimum mechanical
Operating Temperature: -30 to 140° F
Humidity Range: 5 to 95% (noncondensing)
Operate Time: 20ms
Relay Status: LED On = Activated
Dimensions: 2.38"H x 4.00"W x 1.38"D1/1.88"D2
Housing Detail: See **Housing H** in housing guide for dimensions
Track Mount: 4.000"
Origin: **MT4 Mounting Track Sold Separately**
 Made of US and non-US parts
Approvals: UL Component Recognized, UL916, UL864
 C-UL, California State Fire Marshal, CE, RoHS
Gold Flash: No
Override Switch: No

Contact Ratings:
 30 Amp General Use @ 300 Vac
 30 Amp Resistive @ 28 Vdc
 20 Amp Ballast @ 277-480 Vac
 Not rated for Electronic Ballast
 15 Amp Resistive @ 600 Vac
 7.5 HP @ 480 Vac, 3 Phase
 5 HP @ 240 Vac, 3 Phase
 3 HP @ 480-600 Vac, 1 Phase
 2 HP @ 240-277 Vac, 1 Phase
 1 HP @ 120 Vac, 1 Phase

Heavy Pilot Duty @ 600 Vac
 770 VA @ 120 Vac, 1 Phase
 1,158 VA @ 240 Vac, 1 Phase
 1,110 VA @ 277 Vac, 1 Phase
 1,640 VA @ 480 Vac, 1 Phase
 1,466 VA @ 240 Vac, 3 Phase
 2,122 VA @ 480 Vac, 3 Phase

Coil Current:
 140 mA @ 120 Vac

Coil Voltage Input:
 480 Vac ; 50-60 Hz
 Drop Out = 140 Vac
 Pull In = 340 Vac

Notes:
 See model RIBM043PN-HD
 for use in more transient
 prone environments