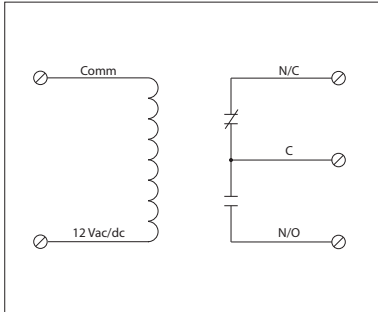


## 10 AMP PILOT CONTROL TRACK MOUNT RELAYS

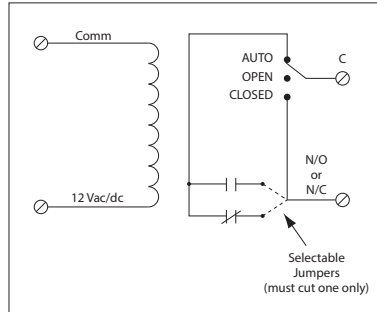
### RIBM12C

Pilot Relay, 15 Amp SPDT, 12 Vac/dc Coil, 4.00" Track Mount



### RIBM12S

Pilot Relay, 15 Amp SPST + Override, 12 Vac/dc Coil, 4.00" Track Mount



Cut for N/O

Cut for N/C

## SPECIFICATIONS

**# Relays & Contact Type:** One (1) SPDT Continuous Duty Coil (RIBM12C)  
 One (1) SPST Continuous Duty Coil (RIBM12S)

**Expected Relay Life:** 10 million cycles minimum mechanical

**Operating Temperature:** -30 to 140° F

**Humidity Range:** 5 to 95% (noncondensing)

**Operate Time:** 6ms

**Relay Status:** LED On = Activated

**Dimensions:** 1.25"H x 4.00"W x 0.75"D1/1.25"D2 (RIBM12C)

1.25"H x 4.00"W x 1.00"D1/1.50"D2 (RIBM12S)

**Housing Detail:** See **Housing H** in housing guide for dimensions

**Origin:** Made of US and non-US parts

**Track Mount:** 4.000"

**MT4 Mounting Track Sold Separately**

**Approvals:** UL Listed, UL916, C-UL, CE, RoHS  
 UL864, California State Fire Marshal

**Gold Flash:** No

**Override Switch:** No (RIBM12C) ; Yes (RIBM12S)

### Contact Ratings:

15 Amp General Use @ 125 Vac  
 10 Amp General Use @ 277 Vac  
 10 Amp Resistive @ 30 Vdc (N/O)  
 7 Amp Resistive @ 30 Vdc (N/C)  
 1/2 HP @ 125 Vac  
 1 HP @ 250 Vac  
 1/4 HP @ 277 Vac  
 C300 Pilot Duty

### Coil Current:

53 mA @ 10 Vac  
 62 mA @ 12 Vac  
 29 mA @ 11 Vdc  
 36 mA @ 12 Vdc

### Coil Voltage Input:

12 Vac/dc ; 50-60 Hz  
 Drop Out = 2 Vac / 2.5 Vdc  
 Pull In = 9 Vac / 11 Vdc

### Notes:

Must cut appropriate jumper to select Normally Open or Normally Closed (RIBM12S)