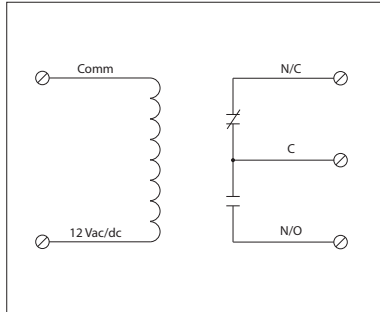


15 AMP PILOT CONTROL TRACK MOUNT RELAYS

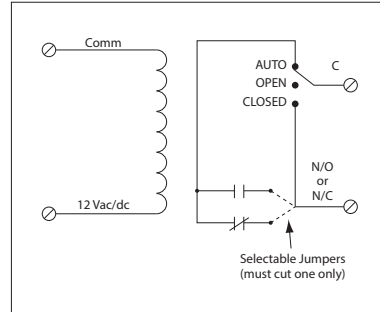
RIBMN12C

Pilot Relay, 15 Amp SPDT, 12 Vac/dc Coil, 2.75" Track Mount



RIBMN12S

Pilot Relay, 15 Amp SPST + Override, 12 Vac/dc Coil, 2.75" Track Mount



Cut for N/O

Cut for N/C

SPECIFICATIONS

Relays & Contact Type: One (1) SPDT Continuous Duty Coil (RIBMN12C)
 One (1) SPST Continuous Duty Coil (RIBMN12S)

Expected Relay Life: 10 million cycles minimum mechanical

Operating Temperature: -30 to 140° F

Humidity Range: 5 to 95% (noncondensing)

Operate Time: 6ms

Relay Status: LED On = Activated

Dimensions: 1.10"H x 2.75"W x 0.75"D1/1.25"D2 (RIBMN12C)

1.25"H x 2.75"W x 1.25"D1/1.75"D2 (RIBMN12S)

Housing Detail: See **Housing H** in housing guide for dimensions

Origin: Made of US and non-US parts

Track Mount: 2.750"

MT212 Mounting Track Sold Separately

Approvals: UL Listed, UL916, C-UL, CE, RoHS

UL864, California State Fire Marshal

Gold Flash: No

Override Switch: No (RIBMN12C) ; Yes (RIBMN12S)

Contact Ratings:

15 Amp General Use @ 125 Vac

10 Amp General Use @ 277 Vac

10 Amp Resistive @ 30 Vdc (N/O)

7 Amp Resistive @ 30 Vdc (N/C)

1/2 HP @ 125 Vac

1 HP @ 250 Vac

1/4 HP @ 277 Vac

C300 Pilot Duty

Coil Current:

53 mA @ 10 Vac

62 mA @ 12 Vac

29 mA @ 11 Vdc

35 mA @ 12 Vdc

Coil Voltage Input:

12 Vac/dc ; 50-60 Hz

Drop Out = 2 Vac / 2.5 Vdc

Pull In = 9 Vac / 11 Vdc

Notes: (RIBMN12S)

- Must cut appropriate jumper to select Normally Open or Normally Closed