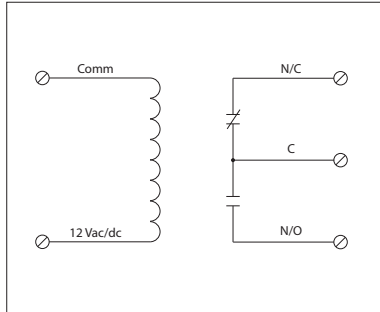


## 15 AMP PILOT CONTROL TRACK MOUNT RELAYS

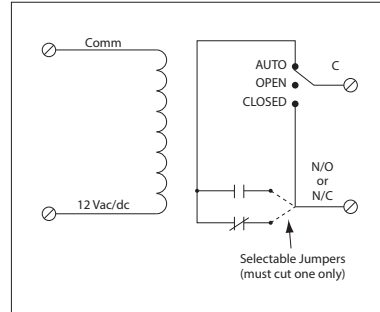
### RIBMN12C

Pilot Relay, 15 Amp SPDT, 12 Vac/dc Coil, 2.75" Track Mount



### RIBMN12S

Pilot Relay, 15 Amp SPST + Override, 12 Vac/dc Coil, 2.75" Track Mount



Cut for N/O

Cut for N/C

## SPECIFICATIONS

**# Relays & Contact Type:** One (1) SPDT Continuous Duty Coil (RIBMN12C)  
 One (1) SPST Continuous Duty Coil (RIBMN12S)

**Expected Relay Life:** 10 million cycles minimum mechanical

**Operating Temperature:** -30 to 140° F

**Humidity Range:** 5 to 95% (noncondensing)

**Operate Time:** 6ms

**Relay Status:** LED On = Activated

**Dimensions:** 1.10"H x 2.75"W x 0.75"D1/1.25"D2 (RIBMN12C)  
 1.25"H x 2.75"W x 1.25"D1/1.75"D2 (RIBMN12S)

**Housing Detail:** See **Housing H** in housing guide for dimensions

**Origin:** Made of US and non-US parts

**Track Mount:** 2.750"

**MT212 Mounting Track Sold Separately**

**Approvals:** UL Listed, UL916, C-UL, CE, RoHS  
 UL864, California State Fire Marshal

**Gold Flash:** No

**Override Switch:** No (RIBMN12C) ; Yes (RIBMN12S)

### Contact Ratings:

15 Amp General Use @ 125 Vac

10 Amp General Use @ 277 Vac

10 Amp Resistive @ 30 Vdc (N/O)

7 Amp Resistive @ 30 Vdc (N/C)

1/2 HP @ 125 Vac

1 HP @ 250 Vac

1/4 HP @ 277 Vac

C300 Pilot Duty

### Coil Current:

53 mA @ 10 Vac

62 mA @ 12 Vac

29 mA @ 11 Vdc

35 mA @ 12 Vdc

### Coil Voltage Input:

12 Vac/dc ; 50-60 Hz

Drop Out = 2 Vac / 2.5 Vdc

Pull In = 9 Vac / 11 Vdc

### Notes: (RIBMN12S)

• Must cut appropriate jumper to select Normally Open or Normally Closed