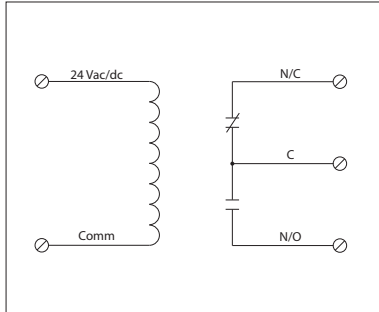


## 15 AMP PILOT CONTROL TRACK MOUNT RELAYS

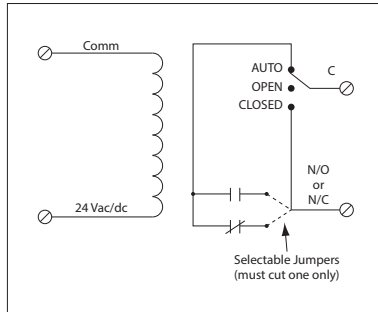
### RIBMN24C

Pilot Relay, 15 Amp SPDT, 24 Vac/dc Coil, 2.75" Track Mount



### RIBMN24S

Pilot Relay, 15 Amp SPST + Override, 24 Vac/dc Coil, 2.75" Track Mount



Cut for N/O  
 Cut for N/C

### SPECIFICATIONS

- # Relays & Contact Type:** One (1) SPDT Continuous Duty Coil (RIBMN24C)  
 One (1) SPST Continuous Duty Coil (RIBMN24S)
- Expected Relay Life:** 10 million cycles minimum mechanical
- Operating Temperature:** -30 to 140° F
- Humidity Range:** 5 to 95% (noncondensing)
- Operate Time:** 6ms
- Relay Status:** LED On = Activated
- Dimensions:** 1.10"H x 2.75"W x 0.75"D1/1.25"D2 (RIBMN24C)  
 1.25"H x 2.75"W x 1.25"D1/1.75"D2 (RIBMN24S)
- Housing Detail:** See **Housing H** in housing guide for dimensions
- Origin:** Made of US and non-US parts
- Track Mount:** 2.750"
- Approvals:** UL Listed, UL916, C-UL, CE, RoHS  
 UL864, California State Fire Marshal
- Gold Flash:** No
- Override Switch:** No (RIBMN24C) ; Yes (RIBMN24S)

- Contact Ratings:**

  - 15 Amp General Use @ 125 Vac
  - 10 Amp General Use @ 277 Vac
  - 10 Amp Resistive @ 30 Vdc (N/O)
  - 7 Amp Resistive @ 30 Vdc (N/C)
  - 1/2 HP @ 125 Vac
  - 1 HP @ 250 Vac
  - 1/4 HP @ 277 Vac
  - C300 Pilot Duty

- Coil Current:**

  - 26 mA @ 20 Vac
  - 31 mA @ 24 Vac
  - 48 mA @ 35 Vac
  - 14 mA @ 20 Vdc
  - 18 mA @ 24 Vdc
  - 28 mA @ 35 Vdc

- Coil Voltage Input:**

  - 24 Vac/dc ; 50-60 Hz
  - Drop Out = 3 Vac / 3.8 Vdc
  - Pull In = 20 Vac / 20 Vdc

- Notes: (RIBMN24S)**

  - Must cut appropriate jumper to select Normally Open or Normally Closed

**MT212 Mounting Track Sold Separately**