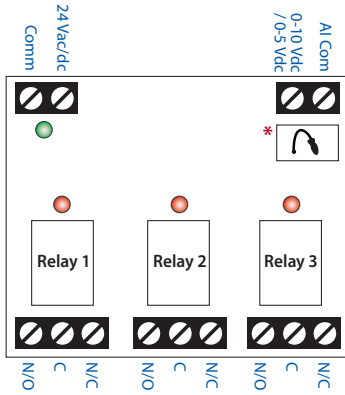


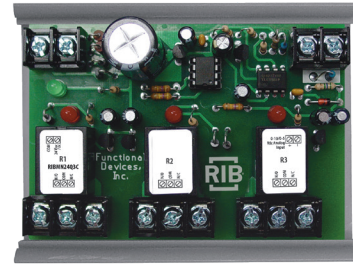
I/O EXPANDER

RIBMN24Q3C

I/O Expander, 3 Outputs, 24 Vac/dc Power Input, 0-10 Vdc / 0-5 Vdc Control Input, 2.75" Track Mount



0-10 VDC CONTROL VOLTAGE	0-5 VDC * CONTROL VOLTAGE	RELAY 1 STATUS	RELAY 2 STATUS	RELAY 3 STATUS
0-0.988Vdc	0-0.494Vdc	OFF	OFF	OFF
1.366-2.242Vdc	0.683-1.121Vdc	ON	OFF	OFF
2.620-3.496Vdc	1.310-1.748Vdc	OFF	ON	OFF
3.876-4.752Vdc	1.938-2.376Vdc	ON	ON	OFF
5.130-6.006Vdc	2.565-3.003Vdc	OFF	OFF	ON
6.386-7.262Vdc	3.193-3.631Vdc	ON	OFF	ON
7.640-8.516Vdc	3.820-4.258Vdc	OFF	ON	ON
8.896-10.000Vdc	4.448-5.000Vdc	ON	ON	ON



GREAT FOR STAGING LOADS SUCH AS CHILLERS, PUMPS, ACTUATORS, OR MULTI-STAGE HEATING

SPECIFICATIONS

Relays & Contact Type: Three (3) SPDT Continuous Duty Coil
Expected Relay Life: 10 million cycles minimum mechanical
Operating Temperature: -30 to 140° F
Humidity Range: 5 to 95% (noncondensing)
Power Status: Green LED On = Power On
Relay Status: Red LED On = Relay Activated
Dimensions: 4.00"H x 2.75"W x 1.25"D1/1.75"D2
Housing Detail: See Housing H in housing guide for dimensions
Origin: Made of US and non-US parts
Track Mount: MT212-4 Mounting Track Provided
Approvals: UL Listed, UL916, C-UL, CE, RoHS
Gold Flash: No
Override Switch: No

Contact Ratings:
 15 Amp General Use @ 125 Vac
 10 Amp General Use @ 277 Vac
 10 Amp Resistive @ 30 Vdc (N/O)
 7 Amp Resistive @ 30 Vdc (N/C)
 1/2 HP @ 125 Vac
 1 HP @ 250 Vac
 1/4 HP @ 277 Vac
 470 VA Pilot Duty @ 125 Vac
 770 VA Pilot Duty @ 250 Vac

Power Input:
 24 Vac/dc ; 50-60 Hz
 150mA max.

Notes:
 • Must clip resistor in white box for 0-5Vdc.*
 • Custom Programming Available for Large Orders.