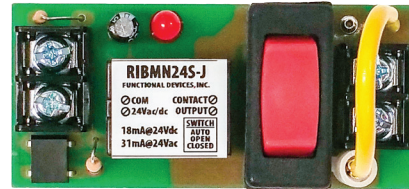
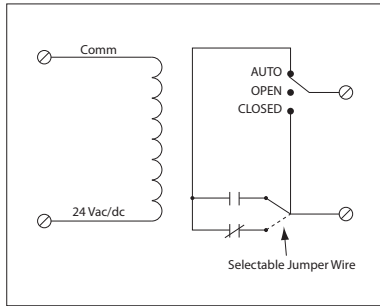


15 AMP PILOT CONTROL TRACK MOUNT RELAY

RIBMN24S-J

Pilot Relay, 15 Amp SPST + Override,
 24 Vac/dc Coil, Jumper Selectable Output,
 2.75" Track Mount



SPECIFICATIONS

Relays & Contact Type: One (1) SPST Continuous Duty Coil
Expected Relay Life: 10 million cycles minimum mechanical
Operating Temperature: -30 to 140° F
Humidity Range: 5 to 95% (noncondensing)
Operate Time: 6ms
Relay Status: LED On = Activated
Dimensions: 1.25"H x 2.75"W x 1.25"D1/1.75"D2
Housing Detail: See **Housing H** in housing guide for dimensions
Origin: Made of US and non-US parts
Track Mount: 2.750"
Approvals: UL Listed, UL916, C-UL, CE, RoHS
Gold Flash: No
Override Switch: Yes

Contact Ratings:
 15 Amp General Use @ 125 Vac
 10 Amp General Use @ 277 Vac
 10 Amp Resistive @ 30 Vdc (N/O)
 7 Amp Resistive @ 30 Vdc (N/C)
 1/2 HP @ 125 Vac
 1 HP @ 250 Vac
 1/4 HP @ 277 Vac
 C300 Pilot Duty

Coil Current:
 26 mA @ 20 Vac
 31 mA @ 24 Vac
 48 mA @ 35 Vac
 14 mA @ 20 Vdc
 18 mA @ 24 Vdc
 28 mA @ 35 Vdc

Coil Voltage Input:
 24 Vac/dc; 50-60 Hz
 Drop Out = 3 Vac / 3.8 Vdc
 Pull In = 20 Vac / 20 Vdc

Notes:
 Normally Open or Normally Closed selected by yellow jumper wire.