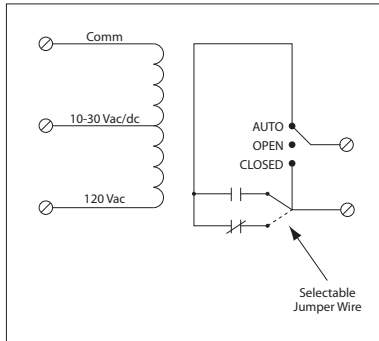


## 15 AMP PILOT CONTROL TRACK MOUNT RELAYS

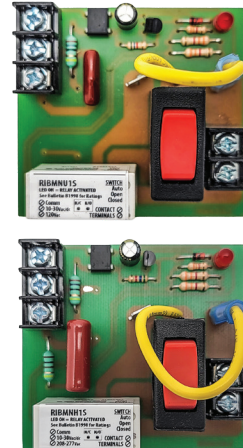
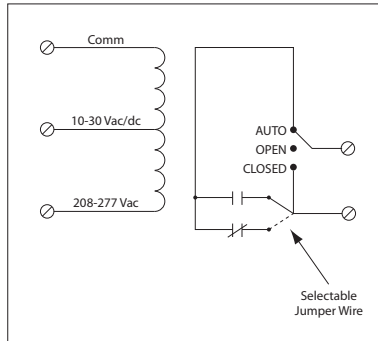
### RIBMNU1S

Pilot Relay, 15 Amp SPST + Override,  
 10-30 Vac/dc/120 Vac Coil, 2.75" Track Mount



### RIBMNH1S

Pilot Relay, 15 Amp SPST + Override,  
 10-30 Vac/dc/208-277 Vac Coil, 2.75" Track Mount



## SPECIFICATIONS

- # Relays & Contact Type:** One (1) SPST Continuous Duty Coil
- Expected Relay Life:** 10 million cycles minimum mechanical
- Operating Temperature:** -30 to 140° F
- Humidity Range:** 5 to 95% (noncondensing)
- Operate Time:** 20ms
- Relay Status:** LED On = Activated
- Dimensions:** 2.53"H x 2.75"W x 1.25"D1/1.75"D2
- Housing Detail:** See **Housing H** in housing guide for dimensions
- Origin:** Made of US and non-US parts
- Track Mount:** 2.750"  
**MT212 Mounting Track Sold Separately**
- Approvals:** UL Listed, UL916, C-UL, CE, RoHS  
 UL864, California State Fire Marshal
- Gold Flash:** Yes
- Override Switch:** Yes

- Contact Ratings:**
- 15 Amp Resistive @ 150 Vac
- 10 Amp Resistive @ 277 Vac
- 480 VA Pilot Duty @ 277 Vac
- 480 VA Ballast @ 277 Vac
- Not rated for Electronic Ballast*
- 600 Watt Tungsten @ 120 Vac (N/O)
- 240 Watt Tungsten @ 120 Vac (N/C)
- 1/3 HP @ 120-240 Vac (N/O)
- 1/6 HP @ 120-240 Vac (N/C)
- 1/4 HP @ 277 Vac (N/O)
- 1/8 HP @ 277 Vac (N/C)

- Notes:**
- Normally Open or Normally Closed selected by yellow jumper wire

- Coil Current:**
- 33 mA @ 10 Vac      13 mA @ 10 Vdc
- 35 mA @ 12 Vac      15 mA @ 12 Vdc
- 46 mA @ 24 Vac      18 mA @ 24 Vdc
- 55 mA @ 30 Vac      20 mA @ 30 Vdc
- 28 mA @ 120 Vac (RIBMNU1S)
- 39 mA @ 208-277 Vac (RIBMNH1S)

- Coil Voltage Input:**
- 10-30 Vac/dc; 120 Vac; 50-60 Hz (RIBMNU1S)
- 10-30 Vac/dc; 208-277 Vac; 50-60 Hz (RIBMNH1S)
- Drop Out = 2.1 Vac / 2.8 Vdc
- Pull In = 9 Vac / 10 Vdc