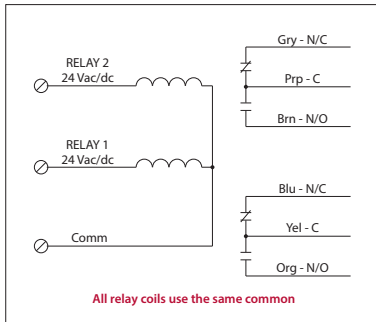


20 AMP POWER CONTROL RELAYS

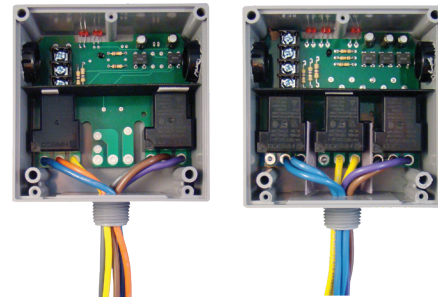
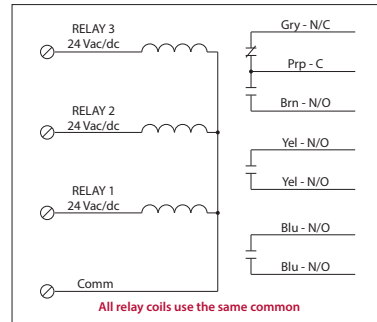
RIBT242B

Power Relays, 20 Amp 2 SPDT,
24 Vac/dc Coil, Hi/Lo Voltage Separation,
NEMA 1 Housing



RIBT243B

Power Relays, 20 Amp 2 SPST-N/O + 1 SPDT,
24 Vac/dc Vac Coil, Hi/Lo Voltage Separation,
NEMA 1 Housing



SPECIFICATIONS

- # Relays & Contact Type:** Two (2) SPDT Continuous Duty Coil (RIBT242B)
Two (2) SPST + One (1) SPDT Continuous Duty Coil (RIBT243B)
- Expected Relay Life:** 10 million cycles minimum mechanical
- Operating Temperature:** -30 to 140° F
- Humidity Range:** 5 to 95% (noncondensing)
- Operate Time:** 18ms
- Relay Status:** LED On = Activated
- Dimensions:** 4.000"H x 4.000"W x 1.800"D with .50" NPT Nipple
- Housing Detail:** See **Housing C** in housing guide for dimensions
- Origin:** Made of US and non-US parts
- Wires:** 16", 600V Rated
- Approvals:** UL Listed, C-UL, CE, RoHS (Both Models)
UL916 (RIBT243B)
UL864, California State Fire Marshal (RIBT242B)
- Housing Rating:** UL Accepted for Use in Plenum, NEMA 1
- Gold Flash:** No
- Override Switch:** No

- Contact Ratings:**
20 Amp Resistive @ 277 Vac
5 Amp Resistive @ 480 Vac
20 Amp Ballast @ 277 Vac
16 Amp Electronic Ballast @ 277 Vac (N/O)
10 Amp Tungsten @ 120 Vac (N/O)
770 VA Pilot Duty @ 120 Vac
1,110 VA Pilot Duty @ 277 Vac
2 HP @ 277 Vac
1 HP @ 120 Vac

- Coil Voltage Input:**
24 Vac/dc ; 50-60 Hz
Drop Out = 2.1 Vac / 3.8 Vdc
Pull In = 18 Vac / 22 Vdc

- Coil Current:**
50 mA @ 18 Vac
83 mA @ 24 Vac
33 mA @ 22 Vdc
35 mA @ 24 Vdc
47 mA @ 30 Vdc

- Note:**
RIBT243B not rated for UL864