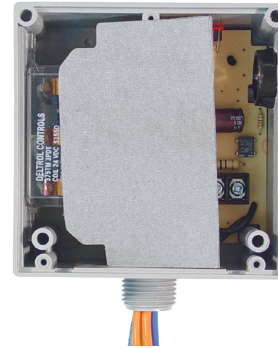
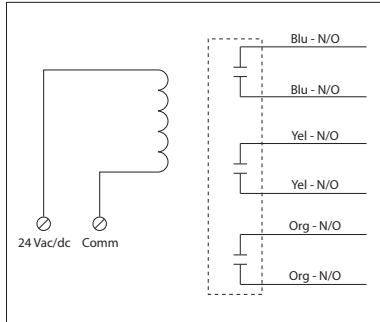


**20 AMP POWER CONTROL RELAY**

**RIBT243P**

Power Relay, 20 Amp 3PST-N/O, 24 Vac/dc Coil, Hi/Lo Voltage Separation, NEMA 1 Housing



**SPECIFICATIONS**

**# Relays & Contact Type:** One (1) 3PST Continuous Duty Coil  
**Expected Relay Life:** 10 million cycles minimum mechanical  
**Operating Temperature:** -30 to 140° F  
**Humidity Range:** 5 to 95% (noncondensing)  
**Operate Time:** 20ms  
**Relay Status:** LED On = Activated  
**Dimensions:** 4.000”H x 4.000”W x 1.800”D with .50” NPT Nipple  
**Housing Detail:** See **Housing C** in housing guide for dimensions  
**Origin:** Made of US and non-US parts  
**Wires:** 16”, 600V Rated  
**Approvals:** UL Listed, UL916, C-UL, CE, RoHS  
**Housing Rating:** UL Accepted for Use in Plenum, NEMA 1  
**Gold Flash:** No  
**Override Switch:** No

**Contact Ratings:**  
 20 Amp Resistive @ 300 Vac, 28 Vdc  
 20 Amp Ballast @ 277-480 Vac  
 Not rated for Electronic Ballast  
 15 Amp Resistive @ 600 Vac  
 770 VA Pilot Duty @ 120 Vac, 1 Phase  
 1,158 VA Pilot Duty @ 240 Vac, 1 Phase  
 1,110 VA Pilot Duty @ 277 Vac, 1 Phase  
 1,640 VA Pilot Duty @ 480 Vac, 1 Phase  
 1,466 VA Pilot Duty @ 240 Vac, 3 Phase  
 2,112 VA Pilot Duty @ 480 Vac, 3 Phase  
 Heavy Pilot Duty @ 600 Vac  
 7.5 HP @ 480 Vac, 3 Phase  
 5 HP @ 240 Vac, 3 Phase  
 3 HP @ 480-600 Vac, 1 Phase  
 2 HP @ 240-277 Vac, 1 Phase  
 1 HP @ 120 Vac, 1 Phase

**Coil Current:**  
 210 mA @ 24 Vac  
 154 mA @ 30 Vdc

**Coil Voltage Input:**  
 24 Vac/dc ; 50-60 Hz  
 Drop Out = 3 Vac / 3.8 Vdc  
 Pull In = 20 Vac / 22 Vdc

**Notes:**  
 • Order Normally Closed by adding “-NC” to end of model number