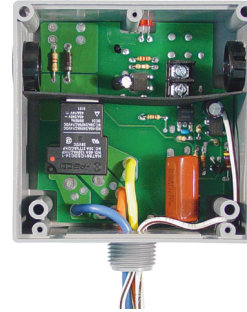
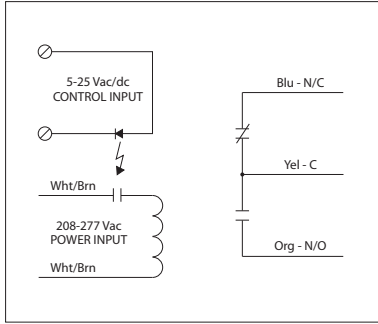


LOW COIL INPUT RELAY

RIBTE02B

Low Input/Optoisolated Relay, 20 Amp SPDT, 208-277 Vac Power Input, 5-25 Vac/dc Control Input, Hi/Lo Voltage Separation, NEMA 1 Housing



SPECIFICATIONS

Power Input: 208-277 Vac, 50-60 Hz
 Control Input: 5-25 Vac/dc, 50-60 Hz
 # Relays & Contact Type: One (1) SPDT Continuous Duty Coil
 Expected Relay Life: 10 million cycles minimum mechanical
 Operating Temperature: -30 to 140° F
 Humidity Range: 5 to 95% (noncondensing)
 Operate Time: 18ms
 Relay Status: LED On = Activated
 Dimensions: 4.00"H x 4.00"W x 1.81"D with 0.50" NPT nipple
 Housing Detail: See **Housing C** in housing guide for dimensions
 Origin: Made of US and non-US parts
 Wires: 16", 600V Rated
 Approvals: UL Listed, UL916, C-UL, CE, RoHS
 Housing Rating: UL Accepted for Use in Plenum, NEMA 1
 Gold Flash: No
 Override Switch: No

Contact Ratings:
 20 Amp Resistive @ 277 Vac
 5 Amp Resistive @ 480 Vac
 1110 VA Pilot Duty @ 277 Vac
 770 VA Pilot Duty @ 120 Vac
 20 Amp Ballast @ 277 Vac
 16 Amp Electronic Ballast @ 277 Vac (N/O)
 10 Amp Tungsten @ 120 Vac (N/O)
 240 Watt Tungsten @ 120 Vac (N/C)
 2 HP @ 277 Vac
 1 HP @ 120 Vac

Power Input Ratings:
 69 mA @ 208-277 Vac

Control Input Ratings:
 .4 mA @ 5 Vdc
 .9 mA @ 10 Vdc
 1 mA @ 12 Vdc
 2 mA @ 24 Vdc
 3 mA @ 24 Vac
 (Non Polarized)