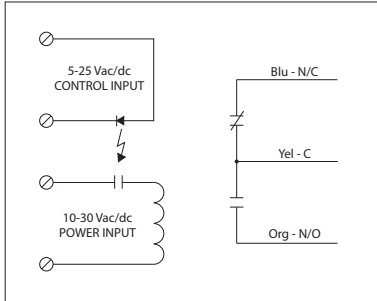


LOW COIL INPUT RELAYS

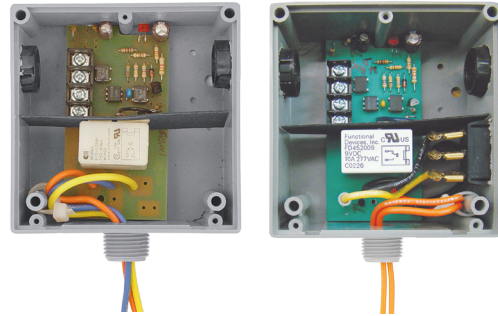
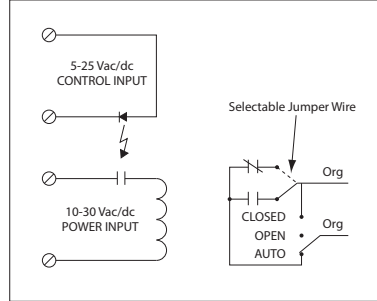
RIBTEL C

Low Input/Optoisolated Relay, 10 Amp SPDT, 10-30 Vac/dc Power Input, 5-25 Vac/dc Control Input, Hi/Lo Voltage Separation, NEMA 1 Housing



RIBTELS

Low Input/Optoisolated Relay, 10 Amp SPST + Override, 10-30 Vac/dc Power Input, 5-25 Vac/dc Control Input, Hi/Lo Voltage Separation, NEMA 1 Housing



SPECIFICATIONS

Power Input: 10-30 Vac/dc, 50-60 Hz
Control Input: 5-25 Vac/dc, 50-60 Hz
Relays & Contact Type: One (1) SPDT Continuous Duty Coil
Expected Relay Life: 10 million cycles minimum mechanical
Operating Temperature: -30 to 140° F
Humidity Range: 5 to 95% (noncondensing)
Operate Time: 20ms
Relay Status: LED On = Activated
Dimensions: 4.00"H x 4.00"W x 1.81"D with 0.50" NPT nipple
Housing Detail: See **Housing C** in housing guide for dimensions
Origin: Made of US and non-US parts
Wires: 16", 600V Rated
Approvals: UL Listed, UL916, C-UL, CE, RoHS
Housing Rating: UL Accepted for Use in Plenum, NEMA 1
Gold Flash: Yes (RIBTEL C), No (RIBTELS)
Override Switch: No (RIBTEL C), Yes (RIBTELS)

Contact Ratings:
 10 Amp Resistive @ 120-277 Vac
 10 Amp Resistive @ 28 Vdc
 480 VA Pilot Duty @ 240-277 Vac
 480 VA Ballast @ 277 Vac
Not rated for Electronic Ballast
 600 Watt Tungsten @ 120 Vac (N/O)
 240 Watt Tungsten @ 120 Vac (N/C)
 1/3 HP @ 120-240 Vac (N/O)
 1/6 HP @ 120-240 Vac (N/C)
 1/4 HP @ 277 Vac (N/O)
 1/8 HP @ 277 Vac (N/C)

Power Input Ratings:
 33 mA @ 10 Vac
 35 mA @ 12 Vac
 46 mA @ 24 Vac
 55 mA @ 30 Vac
 13 mA @ 10 Vdc
 15 mA @ 12 Vdc
 18 mA @ 24 Vdc
 20 mA @ 30 Vdc

Control Input Ratings:
 .4 mA @ 5 Vdc
 .9 mA @ 10 Vdc
 1 mA @ 12 Vdc
 2 mA @ 24 Vdc
 3 mA @ 24 Vac
 (Non Polarized)

Notes:
 • Normally Open or Normally Closed selected by yellow jumper wire (RIBTELS)