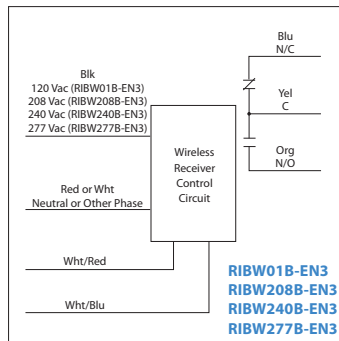


WIRELESS CONTROL RELAYS WITH TWO-WAY COMMUNICATION

RIBW01B-EN3

EnOcean 902 MHz Wireless Relay, Transceiver / Repeater, 20 Amp SPDT, 120 Vac Power Input, Dry Contact Input, NEMA 1 Housing



RIBW208B-EN3

EnOcean 902 MHz Wireless Relay, Transceiver / Repeater, 20 Amp SPDT, 208 Vac Power Input, Dry Contact Input, NEMA 1 Housing

RIBW240B-EN3

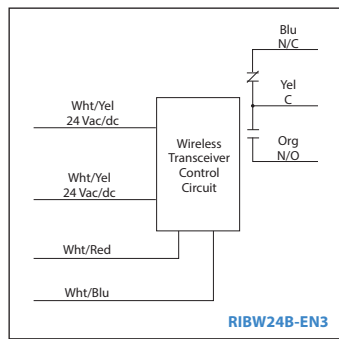
EnOcean 902 MHz Wireless Relay, Transceiver / Repeater, 20 Amp SPDT, 240 Vac Power Input, Dry Contact Input, NEMA 1 Housing

RIBW277B-EN3

EnOcean 902 MHz Wireless Relay, Transceiver / Repeater, 20 Amp SPDT, 277 Vac Power Input, Dry Contact Input, NEMA 1 Housing

RIBW24B-EN3

EnOcean 902 MHz Wireless Relay, Transceiver / Repeater, 20 Amp SPDT, 24 Vac/dc Power Input, Dry Contact Input, NEMA 1 Housing



RELAY HAS BUILT-IN REPEATER FUNCTION. RELAY RECEIVES SIGNAL FROM WIRELESS SWITCH TRANSMITTER AND REBROADCASTS THE SIGNAL TO THE NEXT RELAY RECEIVER.



eneoan alliance Member

SPECIFICATIONS

Relays & Contact Type: One (1) SPDT Continuous Duty Coil
Expected Relay Life: 10 million cycles minimum mechanical
Operating Temperature: -30 to 140° F
Humidity Range: 5 to 95% (noncondensing)
Red LED: Relay Status / Learn Mode Status (Flashing)
Dimensions: 2.39"H x 3.31"W x 1.81"D with 0.50" NPT nipple
Housing Details: See **Housing B** in housing guide for demensions
Wires: 16", 600V Rated
Approvals: UL Listed, UL916, C-UL, RoHS
Agency Compliance: FCCID: SZV-TCM320U
 IC: 5713A-TCM320U
Housing Rating: UL Accepted for Use in Plenum, NEMA 1
Gold Flash: No
Override Switch: No
Frequency: 902 MHz
Receiver Sensitivity: -93 dBm typical
Conducted Power: 5 mW typical
Built-in Switch Modes: Alarm, Repeater, Delay, Rocker, Momentary, and Toggle
Origin: Made of US and non-US parts

Contact Ratings:
 20 Amp Resistive @ 277 Vac
 20 Amp Ballast @ 277 Vac
 16 Amp Electronic Ballast @ 277 Vac (N/O)
 10 Amp Tungsten @ 120 Vac (N/O)
 770 VA Pilot Duty @ 120 Vac
 1,110 VA Pilot Duty @ 277 Vac
 2 HP @ 277 Vac
 1 HP @ 120 Vac

Power Input Ratings:
 73 mA @ 120 Vac ; 60 Hz (RIBW01B-EN3)
 80 mA @ 208 Vac ; 60 Hz (RIBW208B-EN3)
 80 mA @ 240 Vac ; 60 Hz (RIBW240B-EN3)
 80 mA @ 277 Vac ; 60 Hz (RIBW277B-EN3)
 69 mA @ 24 Vdc (RIBW24B-EN3)
 139 mA @ 24 Vac (RIBW24B-EN3)

Notes:

- Compatible with Enecoan® 902 MHz Switches/Transmitters.
- Typical range: 50-150 ft.
- Open area transmission could be farther. Consult factory for more information.
- Repeater function only rebroadcasts original EnOcean® transmission. Up to two repeaters can be used.
- Version 1.5 firmware or later implements Functional Devices, Inc.'s EnOcean® Manufacturer ID of 0x055.
- For setup instructions, see website for **-EN3 Series Application Manual:**
www.functionaldevices.com/wp-content/uploads/2021/12/B1867_393231.pdf

APPLICATION FOR WIRELESS CONTROL & FEEDBACK IN A BUILDING AUTOMATION SYSTEM

