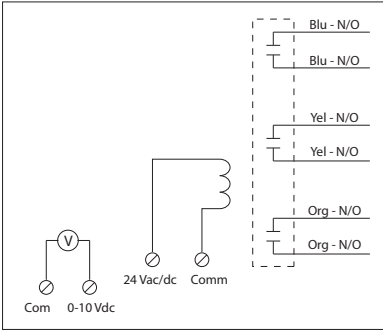
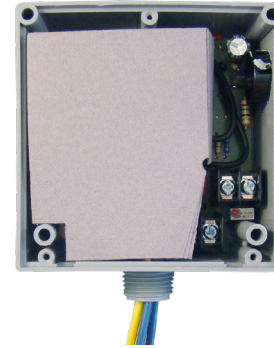


RELAY & AC CURRENT SWITCH COMBO

RIBX243PV

Transducer and Relay Combination, 20 Amp 3PST-N/O, 24 Vac/dc Coil, Analog, 0-20 Amp, 0-10 Vdc Output, NEMA 1 Housing



SPECIFICATIONS

Relays & Contact Type: One (1) 3PST Continuous Duty Coil
Expected Relay Life: 10 million cycles minimum mechanical
Operating Temperature: -30 to 140° F
Humidity Range: 5 to 95% (noncondensing)
Operate Time: 20ms
Relay Status: Red LED On = Activated
Dimensions: 4.00"H x 4.00"W x 1.81"D with 0.50" NPT nipple
Housing Detail: See **Housing C** in housing guide for dimensions
Origin: Made of US and non-US parts
Wire Length: 16", 600V Rated
Approvals: UL Listed, UL916, C-UL, CE, RoHS
Housing Rating: UL Accepted for Use in Plenum, NEMA 1
Gold Flash: No
Override Switch: No

Coil Current:
 210 mA @ 24 Vac
 154 mA @ 30 Vdc

Coil Voltage Input:
 24 Vac/dc; 50-60 Hz
 Drop Out = 3 Vac / 3.8 Vdc
 Pull In = 20 Vac / 22 Vdc

Contact Ratings:
 20 Amp Resistive @ 300 Vac, 28 Vdc
 20 Amp Ballast @ 277-480 Vac
Not rated for Electronic Ballast
 15 Amp Resistive @ 600 Vac
 770 VA Pilot Duty @ 120 Vac, 1 Phase
 1158 VA Pilot Duty @ 240 Vac, 1 Phase
 1110 VA Pilot Duty @ 277 Vac, 1 Phase
 1640 VA Pilot Duty @ 480 Vac, 1 Phase
 1466 VA Pilot Duty @ 240 Vac, 3 Phase
 2112 VA Pilot Duty @ 480 Vac, 3 Phase
 Heavy Pilot Duty @ 600 Vac
 7.5 HP @ 480 Vac, 3 Phase
 3 HP @ 480-600 Vac, 1 Phase
 2 HP @ 240-277 Vac, 1 Phase
 1 HP @ 120 Vac, 1 Phase

Sensor Type: Internal, with voltage output. Current sensing on orange wires

Sensor Range: 0-20 Amps

Sensor Feedback Output:

- Voltage output is proportional to current sensor range.
- Min. Input Impedance = 30K ohms
- Accuracy +/- 1% full scale
- Ripple < 10m Vac

Notes:

- Order Normally Closed by adding "-NC" to end of model number
- Can be ordered with 0-5 Vdc voltage output - Consult factory.