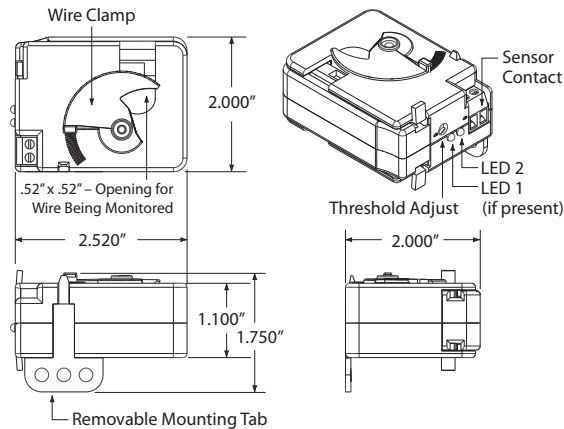


## AC CURRENT SWITCHES

### RIBXGH Series

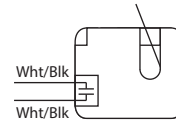
Current Switches, Split Core, Fixed or Adjustable, Up to 150 Amps Sensing Range, 120 Vac Switching Voltage, Terminal Strip or Wire Lead Output



RIBXGHF



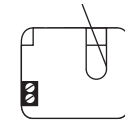
Wire Being Monitored



RIBXGHTF



Wire Being Monitored



### SPECIFICATIONS

**Operating Temperature:** -30 to 140° F  
**Humidity Range:** 5 to 95% (noncondensing)  
**\* Temperature Derating:** 1 Amp up to 50° C,  
 0.5 Amp up to 60° C  
**Max Sense Voltage:** 600 Vac  
**Sensor Contact Status:** Current below threshold: Open  
 Current above threshold: Closed

**Approvals:** UL Listed, UL916, C-UL, CE, RoHS  
**Mounting/Installation:** Unit can be secured using the supplied Mounting Tab, the adjustable Wire Clamp, or both.

**Origin:** Made of US and non-US parts

**Notes:**

- Use Sensor Contact to switch 120 Vac loads only.
- The Sensor Contact is a Solid State Contact.

### RIBXG21 SERIES SELECTION GUIDE

MODEL#	SENSING RANGE	TYPE	THRESHOLD	SENSOR CONTACT TYPE	SWITCHING VOLTAGE RANGE	MAXIMUM SWITCHING CURRENT	SENSOR CONTACT TERMINATION	LED 1	LED 2
RIBXGHF	.50-150 Amps	Split Core	Fixed, .50 Amp	Solid State Switch SPST	120 Vac Only *	1 Amp Max	Wht/Blk 16" 18 AWG Wire Leads		
RIBXGHTF	.50-150 Amps	Split Core	Fixed, .50 Amp	Solid State Switch SPST	120 Vac Only *	1 Amp Max	Terminal Strip Accepts #14-22 AWG Wire		
RIBXGHA	.75-150 Amps	Split Core	Adjustable	Solid State Switch SPST	120 Vac Only *	1 Amp Max	Wht/Blk 16" 18 AWG Wire Leads	Over Trip Point	Under Trip Point
RIBXGHTA	.75-150 Amps	Split Core	Adjustable	Solid State Switch SPST	120 Vac Only *	1 Amp Max	Terminal Strip, Accepts #14-22 AWG Wire	Over Trip Point	Under Trip Point