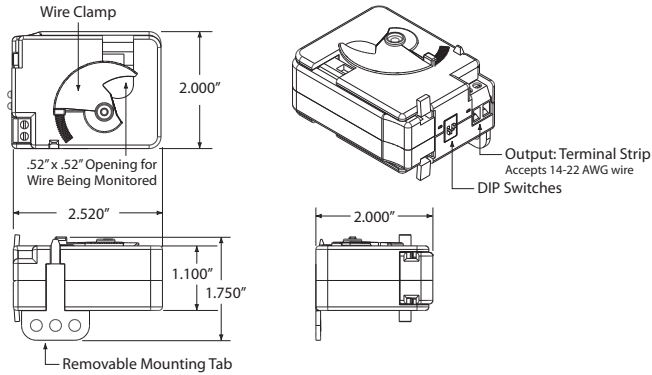


AC TRANSDUCER

RIBXGTV10

Current Transducer, Split Core, Multi-Range (0-20 Amp, 50 Amp, 100 Amp), 0-10 Vdc Terminal Output



| DIP SWITCH | | |
|------------|-----|---------------|
| 1 | 2 | Sensing Range |
| OFF | OFF | 0-20 Amp |
| OFF | ON | 0-50 Amp |
| ON | OFF | 0-100 Amp |



SPECIFICATIONS

- Operating Temperature:** -30 to 140° F
- Humidity Range:** 5 to 95% (noncondensing)
- Accuracy:** 98.8% Full Scale
- Loading:** RIBXGTV10, (0-20 Amp), 5% Error @ 60.4 kΩ
RIBXGTV10, (0-50 Amp), 5% Error @ 25.24 kΩ
RIBXGTV10, (0-100 Amp), 5% Error @ 13.65 kΩ
- Max Sense Voltage:** 600 Vac
- Approvals:** UL Listed, UL916, UL864, California State Fire Marshal, C-UL, CE, RoHS

- Mounting/Installation:** Removable mounting tab provided. The wire clamp locks against the wire being monitored, securing the unit in place.
- Sensor Type:** Split core with voltage output
- Origin:** Made of US and non-US parts