

# RIB® Emergency Lighting and Power Equipment Relays with Parallel Power



www.FunctionalDevices.com | 800.888.5538

**UL924** Emergency Lighting and  
Power Equipment



Bulletin B1327  
393142C

## IMPORTANT SAFEGUARDS:

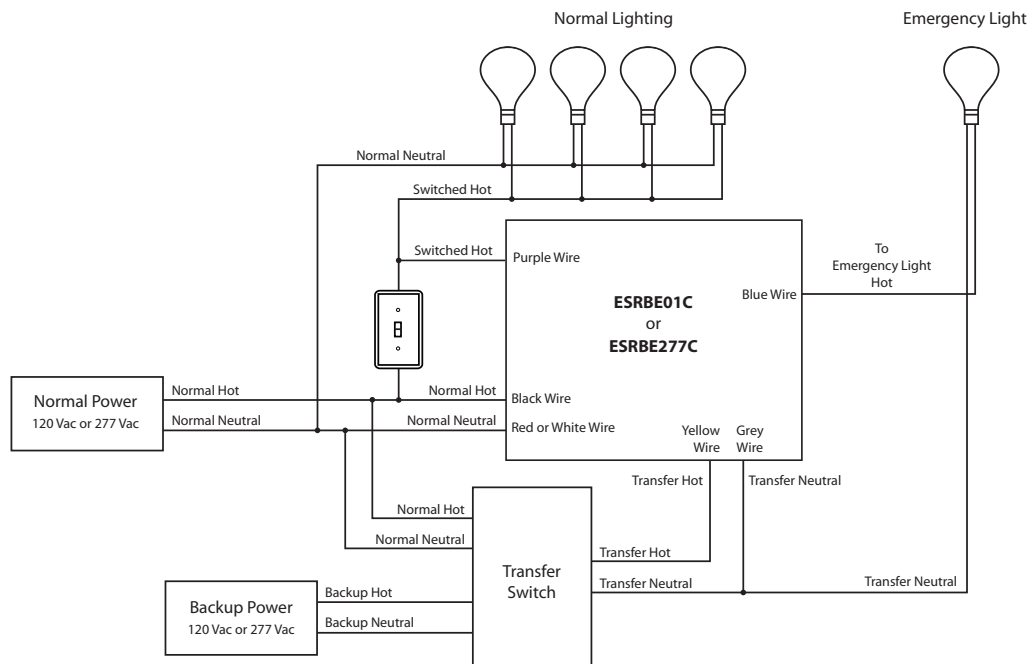
When using electrical equipment, basic safety precautions should always be followed including the following:

## READ AND FOLLOW ALL SAFETY INSTRUCTIONS

- Do not use outdoors.
- Do not let power supply cords touch hot surfaces.
- Do not mount near gas or electric heaters.
- Equipment should be mounted in locations and at heights where it will not be subjected to tampering by unauthorized personnel.
- The use of accessory equipment not recommended by the manufacturer may cause an unsafe condition.
- Do not use equipment for other than intended use.
- All servicing should be performed by qualified personnel.

**SAVE THESE INSTRUCTIONS.**

## Application: Use of Emergency Light as Normal Light



**Connect ESRBE01C & ESRBE277C as Shown Above.**

### Field Wiring and Verification

Start with Normal Power and Transfer Power sources OFF.

Connect White (120 Vac model) or Red (277 Vac model) wire to Neutral of Normal Power.

Connect Black wire to Hot of Normal Power.

Energize Normal Power source.

Red LED of ESRB unit will turn ON.

Connect Grey wire to Neutral of Transfer Switch.

Connect Yellow wire to Hot of Transfer Switch.

Energize Transfer Power.

Yellow LED of ESRB unit will turn ON.

# RIB® Emergency Lighting and Power Equipment Relays with Parallel Power

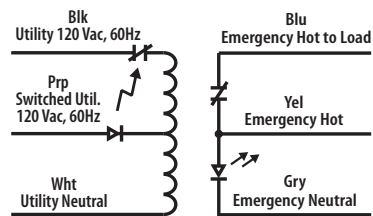
## Normal Mode Operation:

When Wall Switch is ON, Emergency Light will turn ON along with Normal Lighting.  
 When Wall Switch is OFF, Emergency Light will turn OFF along with Normal Lighting.

## Emergency Mode Operation:

When Normal Power is interrupted (ie. normal panel breaker opens, utility power brownout, etc.), Emergency Light will turn ON (regardless of position of Wall Switch.) Note: In Emergency Mode, Emergency Light is powered by Transfer Switch power.

## ESRBE01C<sup>^</sup>



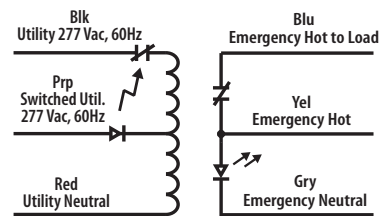
### CONTACT RATINGS

10 Amp Magnetic Ballast N/C @ 277 Vac  
 2 Amp Electronic Ballast N/C @ 120 Vac

### COIL INPUT RATINGS

120 Vac @ 100 mA max

## ESRBE277C<sup>^</sup>



### CONTACT RATINGS

10 Amp Magnetic Ballast N/C @ 277 Vac  
 2 Amp Electronic Ballast N/C @ 120 Vac

### COIL INPUT RATINGS

277 Vac @ 150 mA max

### NOTES

<sup>^</sup>FOR SUPPLY CONNECTIONS USE #18AWG WIRES OR LARGER RATED FOR AT LEAST 75°C(167°F).