

## Ordering Information:

Interface Board  
(only):  
**PSMN2C2RB10**

Interface Board in:  
12" x 16" x 6" Metal Enclosure  
**PSH2C2RB10**   
14" x 16" x 6" Metal Enclosure  
**PSH2C2RB10-L**

Kit with Interface Board in  
Metal Enclosure:

**PLUS 550VA UPS**  
**PSH550-UPS-STAT**

**PLUS 600VA UPS**  
**PSH600-UPS-STAT**

**PLUS 850VA UPS**  
**PSH850-UPS-STAT**

### 12" x 16" x 6" Enclosure Will Accept Any UPS

• Max size: 14.00" x 8.00" x 5.50"; With appropriate ratings\*

### 14" x 16" x 6" Enclosure Will Accept Any UPS

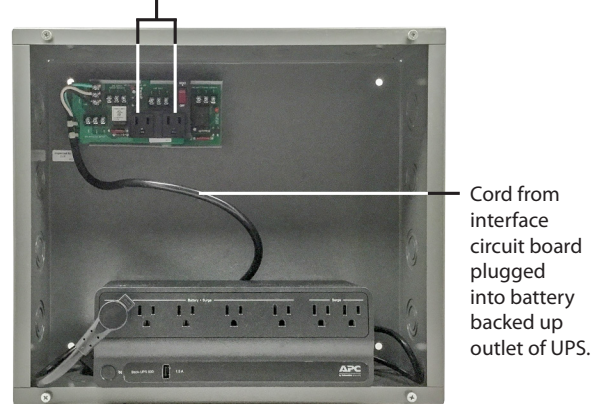
• Max size: 14.00" x 10.00" x 5.50"; With appropriate ratings\*

### To Install UPS Inside Enclosure

- Remove lid from enclosure.
- Place UPS (outlets facing outward) on the bottom of enclosure with power cord facing left.
- Plug UPS into one of two outlets.
- Plug supplied power cord attached to interface circuit board into UPS.

Intended for use with 120 Vac line voltage.

UPS plugged into one of two outlets, other outlet spare



Shown with 600 VA UPS

Bottom of enclosure

### Detail of Interface Board

(Model PSMN2C2RB10)

\* Use with UPS devices rated 120 Vac,  
8.3 A max, 1000 VA max, 600 W max

#### Line Input

10 Amp max. @ 120 Vac

#### Output Both Outlets

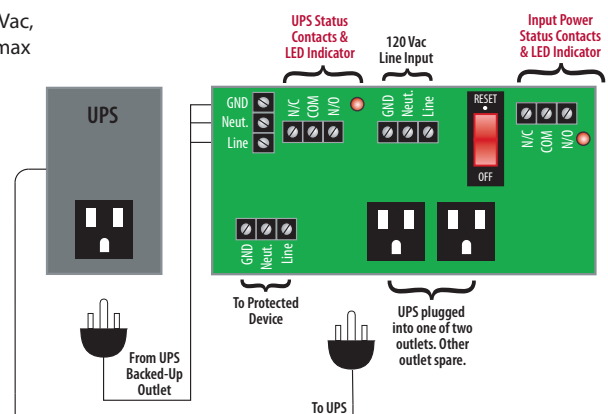
10 Amp max. @ 120 Vac

#### UPS Protected Outlet

10 Amp max. @ 120 Vac

#### Line Input Status Contacts and UPS Output Status Contacts Rated

10 Amp @ 277 Vac General Use  
10 Amp @ 30 Vdc N/O  
7 Amp @ 30 Vdc N/C  
1/2 HP @ 125 Vac  
1 HP @ 250 Vac  
1/4 HP @ 277 Vac  
1000 VA @ 120 Vac Magnetic Ballast N/C  
C300 Pilot Duty  
16.8 VA @ 24 Vac Pilot Duty



**CAUTION: RISK OF ELECTRICAL SHOCK - MORE THAN ONE DISCONNECT MAY BE REQUIRED TO DEENERGIZE THE DEVICE BEFORE SERVICING.**

**CAUTION: REMOVAL OF COVER OR ACCESS PLATE (IF PRESENT) EXPOSES HIGH VOLTAGE.**

**FOR SUPPLY CONNECTIONS USE #14AWG WIRES OR LARGER RATED FOR AT LEAST 75°C(167°F).**