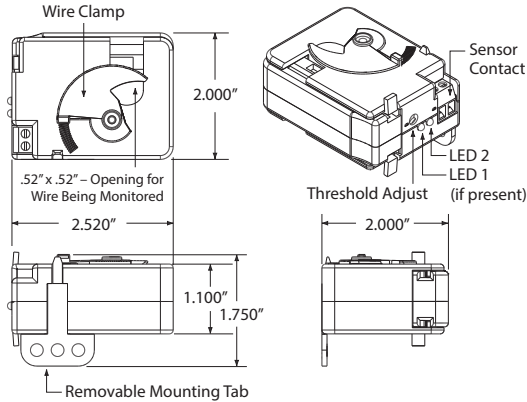


## AC CURRENT SWITCHES

### RIBXG-NC Series

Current Switches, Split Core, Fixed or Adjustable, Up to 150 Amps Sensing Range, Normally Closed Terminal Strip or Wire Lead Output



### SPECIFICATIONS

**Operating Temperature:** -30 to 140° F

**Humidity Range:** 5 to 95% (noncondensing)

**Max Sense Voltage:** 600 Vac

**Approvals:** UL Listed, UL916, C-UL, CE, RoHS

**Mounting/Installation:** Removable mounting tab provided. The wire clamp locks against the wire being monitored, securing the unit in place.

**Sensor Contact Status:** Current below threshold: Closed  
 Current above threshold: Open

**Origin:** Made of US and non-US parts

**Sensor Contact:**

- Solid State Contact
- When sensor contact is off (open), leakage <30 uA @ 30Vac/dc
- When sensor contact is on (closed), resistance 11.2 ohm

### RIBXG-NC SERIES SELECTION GUIDE

Model#	Sensing Range	Type	Threshold	Sensor Contact Type	Switching Voltage Range	Maximum Switching Current	Sensor Contact Termination	LED 1	LED 2
RIBXGTF-NC	.35-150 Amp	Split Core	Fixed, .35 Amp	Solid State Switch SPST	30 Vac/dc	.1 Amps Max	Terminal Strip, Accepts #14-22 AWG Wire		
RIBXGTA-NC	.75-150 Amp	Split Core	Adjustable	Solid State Switch SPST	30 Vac/dc	.1 Amps Max	Terminal Strip, Accepts #14-22 AWG Wire	Over Trip Point	Under Trip Point