

MS/TP Address Setting

MS/TP Address	DIP Switch						
	1	2	3	4	5	6	7
0	0	0	0	0	0	0	0
1	0	0	0	0	0	0	1
2	0	0	0	0	0	1	0
3	0	0	0	0	0	1	1
4	0	0	0	0	1	0	0
5	0	0	0	0	1	0	1
6	0	0	0	0	1	1	0
7	0	0	0	0	1	1	1
8	0	0	0	1	0	0	0
9	0	0	0	1	0	0	1
10	0	0	0	1	0	1	0
11	0	0	0	1	0	1	1
12	0	0	0	1	1	0	0
13	0	0	0	1	1	0	1
14	0	0	0	1	1	1	0
15	0	0	0	1	1	1	1
16	0	0	1	0	0	0	0
17	0	0	1	0	0	0	1
18	0	0	1	0	0	1	0
19	0	0	1	0	0	1	1
20	0	0	1	0	1	0	0
21	0	0	1	0	1	0	1
22	0	0	1	0	1	1	0
23	0	0	1	0	1	1	1
24	0	0	1	1	0	0	0
25	0	0	1	1	0	0	1
26	0	0	1	1	0	1	0
27	0	0	1	1	0	1	1
28	0	0	1	1	1	0	0
29	0	0	1	1	1	0	1
30	0	0	1	1	1	1	0
31	0	0	1	1	1	1	1
32	0	1	0	0	0	0	0
33	0	1	0	0	0	0	1
34	0	1	0	0	0	1	0
35	0	1	0	0	0	1	1
36	0	1	0	0	1	0	0
37	0	1	0	0	1	0	1
38	0	1	0	0	1	1	0
39	0	1	0	0	1	1	1
40	0	1	0	1	0	0	0
41	0	1	0	1	0	0	1
42	0	1	0	1	0	1	0
43	0	1	0	1	0	1	1
44	0	1	0	1	1	0	0
45	0	1	0	1	1	0	1
46	0	1	0	1	1	1	0

MS/TP Address	DIP Switch						
	1	2	3	4	5	6	7
47	0	1	0	1	1	1	1
48	0	1	1	0	0	0	0
49	0	1	1	0	0	0	1
50	0	1	1	0	0	1	0
51	0	1	1	0	0	1	1
52	0	1	1	0	1	0	0
53	0	1	1	0	1	0	1
54	0	1	1	0	1	1	0
55	0	1	1	0	1	1	1
56	0	1	1	1	0	0	0
57	0	1	1	1	0	0	1
58	0	1	1	1	0	1	0
59	0	1	1	1	0	1	1
60	0	1	1	1	1	0	0
61	0	1	1	1	1	0	1
62	0	1	1	1	1	1	0
63	0	1	1	1	1	1	1
64	1	0	0	0	0	0	0
65	1	0	0	0	0	0	1
66	1	0	0	0	0	1	0
67	1	0	0	0	0	1	1
68	1	0	0	0	1	0	0
69	1	0	0	0	1	0	1
70	1	0	0	0	1	1	0
71	1	0	0	0	1	1	1
72	1	0	0	1	0	0	0
73	1	0	0	1	0	0	1
74	1	0	0	1	0	1	0
75	1	0	0	1	0	1	1
76	1	0	0	1	1	0	0
77	1	0	0	1	1	0	1
78	1	0	0	1	1	1	0
79	1	0	0	1	1	1	1
80	1	0	1	0	0	0	0
81	1	0	1	0	0	0	1
82	1	0	1	0	0	1	0
83	1	0	1	0	0	1	1
84	1	0	1	0	1	0	0
85	1	0	1	0	1	0	1
86	1	0	1	0	1	1	0
87	1	0	1	0	1	1	1
88	1	0	1	1	0	0	0
89	1	0	1	1	0	0	1
90	1	0	1	1	0	1	0
91	1	0	1	1	0	1	1
92	1	0	1	1	1	0	0
93	1	0	1	1	1	0	1

MS/TP Address	DIP Switch						
	1	2	3	4	5	6	7
94	1	0	1	1	1	1	0
95	1	0	1	1	1	1	1
96	1	1	0	0	0	0	0
97	1	1	0	0	0	0	1
98	1	1	0	0	0	1	0
99	1	1	0	0	0	1	1
100	1	1	0	0	1	0	0
101	1	1	0	0	1	0	1
102	1	1	0	0	1	1	0
103	1	1	0	0	1	1	1
104	1	1	0	1	0	0	0
105	1	1	0	1	0	0	1
106	1	1	0	1	0	1	0
107	1	1	0	1	0	1	1
108	1	1	0	1	1	0	0
109	1	1	0	1	1	0	1
110	1	1	0	1	1	1	0
111	1	1	0	1	1	1	1
112	1	1	1	0	0	0	0
113	1	1	1	0	0	0	1
114	1	1	1	0	0	1	0
115	1	1	1	0	0	1	1
116	1	1	1	0	1	0	0
117	1	1	1	0	1	0	1
118	1	1	1	0	1	1	0
119	1	1	1	0	1	1	1
120	1	1	1	1	0	0	0
121	1	1	1	1	0	0	1
122	1	1	1	1	0	0	0
123	1	1	1	1	0	1	1
124	1	1	1	1	1	0	0
125	1	1	1	1	1	0	1
126	1	1	1	1	1	1	0
127	1	1	1	1	1	1	1

Baud Rate	DIP Switch		
	8	9	10
9600	0	0	0
19200	0	0	1
38400	0	1	0
57600	0	1	1
76800	1	0	0
115200	1	0	1

Notes:

- » MS/TP Address & Baud Rate must be set prior to power up via DIP switches.
- » Device ID will default to 277XXX where XXX is the MS/TP Address. Examples:

MS/TP Address - 004	MS/TP Address - 121
Device ID - 277004	Device ID - 277121
- » Device ID can be changed via network command. Once changed, it will no longer default to 277XXX. (MS/TP Address & Device ID must be unique.)
- » **PIC Statement Available for Download**
- » Device Instance changed via Object Identifier Property of Device Object

» Objects included in device are:

BI 1 (Binary input)	} Use Same	BI 6 (Binary input)
ACC 1 (Accumulator)	} Physical Input	BI 7 (Binary input)
BI 2 (Binary input)	} Use Same	BI 8 (Binary input)
ACC 2 (Accumulator)	} Physical Input	BI 9 (Binary input)
BI 3 (Binary input)		BI 10 (Binary input)
BI 4 (Binary input)		BI 11 (Binary input)
BI 5 (Binary input)		BI 12 (Binary input)

MS/TP Address Setting

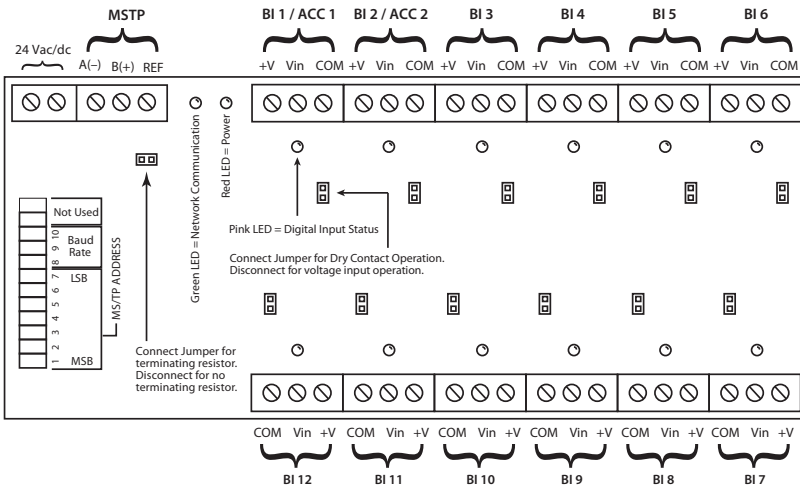
MS/TP Address	DIP Switch						
	1	2	3	4	5	6	7
0	0	0	0	0	0	0	0
1	0	0	0	0	0	0	1
2	0	0	0	0	0	1	0
3	0	0	0	0	0	1	1
4	0	0	0	0	1	0	0
5	0	0	0	0	1	0	1
6	0	0	0	0	1	1	0
7	0	0	0	0	1	1	1
8	0	0	0	1	0	0	0
9	0	0	0	1	0	0	1
10	0	0	0	1	0	1	0
11	0	0	0	1	0	1	1
12	0	0	0	1	1	0	0
13	0	0	0	1	1	0	1
14	0	0	0	1	1	1	0
15	0	0	0	1	1	1	1
16	0	0	1	0	0	0	0
17	0	0	1	0	0	0	1
18	0	0	1	0	0	1	0
19	0	0	1	0	0	1	1
20	0	0	1	0	1	0	0
21	0	0	1	0	1	0	1
22	0	0	1	0	1	1	0
23	0	0	1	0	1	1	1
24	0	0	1	1	0	0	0
25	0	0	1	1	0	0	1
26	0	0	1	1	0	1	0
27	0	0	1	1	0	1	1
28	0	0	1	1	1	0	0
29	0	0	1	1	1	0	1
30	0	0	1	1	1	1	0
31	0	0	1	1	1	1	1
32	0	1	0	0	0	0	0
33	0	1	0	0	0	0	1
34	0	1	0	0	0	1	0
35	0	1	0	0	0	1	1
36	0	1	0	0	1	0	0
37	0	1	0	0	1	0	1
38	0	1	0	0	1	1	0
39	0	1	0	0	1	1	1
40	0	1	0	1	0	0	0
41	0	1	0	1	0	0	1
42	0	1	0	1	0	1	0
43	0	1	0	1	0	1	1
44	0	1	0	1	1	0	0
45	0	1	0	1	1	0	1
46	0	1	0	1	1	1	0

MS/TP Address	DIP Switch						
	1	2	3	4	5	6	7
47	0	1	0	1	1	1	1
48	0	1	1	0	0	0	0
49	0	1	1	0	0	0	1
50	0	1	1	0	0	1	0
51	0	1	1	0	0	1	1
52	0	1	1	0	1	0	0
53	0	1	1	0	1	0	1
54	0	1	1	0	1	1	0
55	0	1	1	0	1	1	1
56	0	1	1	1	0	0	0
57	0	1	1	1	0	0	1
58	0	1	1	1	0	1	0
59	0	1	1	1	0	1	1
60	0	1	1	1	1	0	0
61	0	1	1	1	1	0	1
62	0	1	1	1	1	1	0
63	0	1	1	1	1	1	1
64	1	0	0	0	0	0	0
65	1	0	0	0	0	0	1
66	1	0	0	0	0	1	0
67	1	0	0	0	0	1	1
68	1	0	0	0	1	0	0
69	1	0					

RIBMNWD12-BC

Bulletin B1389 • 393153D

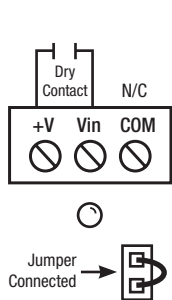
Version 1.52; Version 2.15



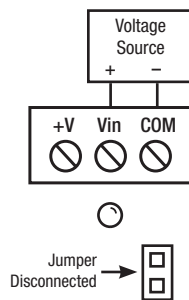
Notes:

- Binary Input 1 and Binary Input 2 can also be used as Accumulator 1 and Accumulator 2.
- To activate inputs with a dry contact source, close connection from +V to Vin and connect the respective jumper for that input.
- To activate inputs with a voltage source, disconnect. The respective jumper for that input and connect Vin to positive of signal and COM to negative of signal. Voltage source can be 5-25 Vac/dc.

Example of Dry Contact Input Operation



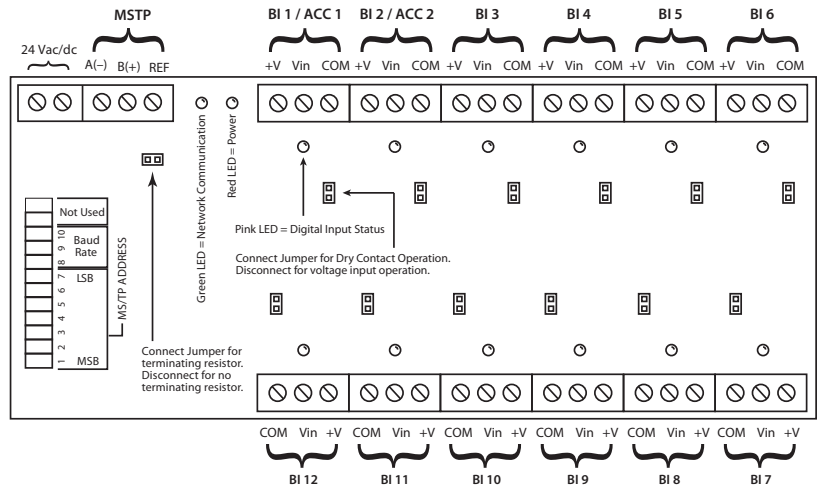
Example of Voltage Input Operation



RIBMNWD12-BC

Bulletin B1389 • 393153D

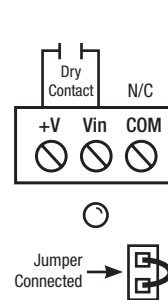
Version 1.52; Version 2.15



Notes:

- Binary Input 1 and Binary Input 2 can also be used as Accumulator 1 and Accumulator 2.
- To activate inputs with a dry contact source, close connection from +V to Vin and connect the respective jumper for that input.
- To activate inputs with a voltage source, disconnect. The respective jumper for that input and connect Vin to positive of signal and COM to negative of signal. Voltage source can be 5-25 Vac/dc.

Example of Dry Contact Input Operation



Example of Voltage Input Operation

