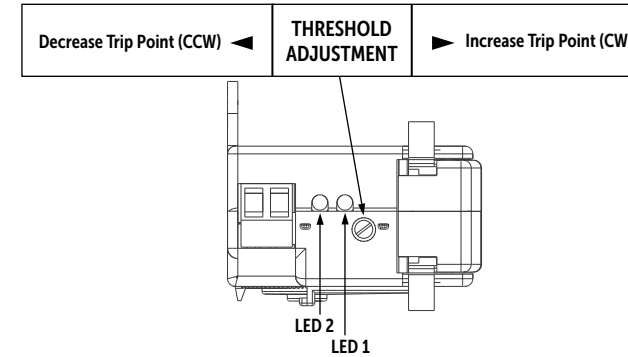
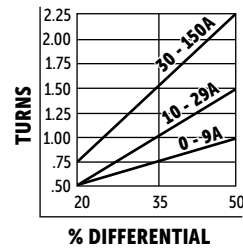


MODEL	SENSE RANGE	THRESHOLD ADJUST	OUTPUT	LED 1	LED 2
RIBXGTF-NC	.35 - 150A	No / Fixed	Terminals		
RIBXGTA-NC	.75 - 150A	Yes / Adjustable	Terminals	Over trip point	Under trip point

CAUTION: RISK OF ELECTRIC SHOCK - MORE THAN ONE DISCONNECT MAY BE REQUIRED TO DEENERGIZE THE DEVICE BEFORE SERVICING.

**TO SET UP**

1. Start load and let stabilize.
2. Turn screw counterclockwise until LED #1 goes ON (may already be ON).
3. Turn screw clockwise until LED #2 goes ON.
4. Turn screw counterclockwise until LED #1 goes ON.
5. For differential, continue turning screw counterclockwise as per chart.

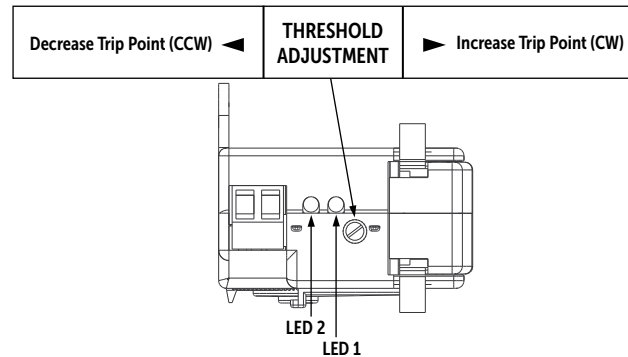
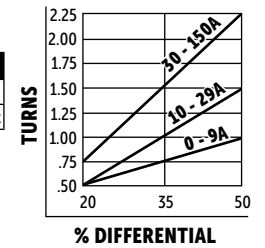


MODEL	SENSE RANGE	THRESHOLD ADJUST	OUTPUT	LED 1	LED 2
RIBXGTF-NC	.35 - 150A	No / Fixed	Terminals		
RIBXGTA-NC	.75 - 150A	Yes / Adjustable	Terminals	Over trip point	Under trip point

CAUTION: RISK OF ELECTRIC SHOCK - MORE THAN ONE DISCONNECT MAY BE REQUIRED TO DEENERGIZE THE DEVICE BEFORE SERVICING.

**TO SET UP**

1. Start load and let stabilize.
2. Turn screw counterclockwise until LED #1 goes ON (may already be ON).
3. Turn screw clockwise until LED #2 goes ON.
4. Turn screw counterclockwise until LED #1 goes ON.
5. For differential, continue turning screw counterclockwise as per chart.

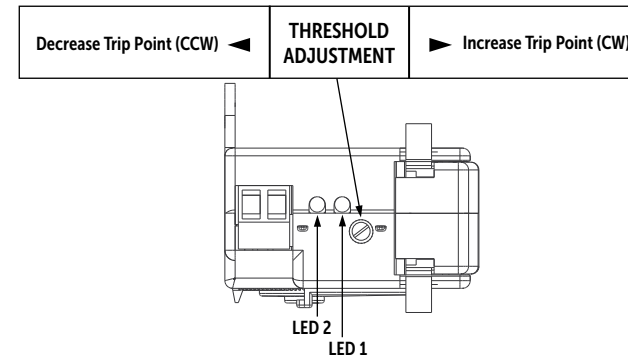
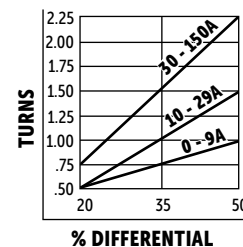


MODEL	SENSE RANGE	THRESHOLD ADJUST	OUTPUT	LED 1	LED 2
RIBXGTF-NC	.35 - 150A	No / Fixed	Terminals		
RIBXGTA-NC	.75 - 150A	Yes / Adjustable	Terminals	Over trip point	Under trip point

CAUTION: RISK OF ELECTRIC SHOCK - MORE THAN ONE DISCONNECT MAY BE REQUIRED TO DEENERGIZE THE DEVICE BEFORE SERVICING.

**TO SET UP**

1. Start load and let stabilize.
2. Turn screw counterclockwise until LED #1 goes ON (may already be ON).
3. Turn screw clockwise until LED #2 goes ON.
4. Turn screw counterclockwise until LED #1 goes ON.
5. For differential, continue turning screw counterclockwise as per chart.

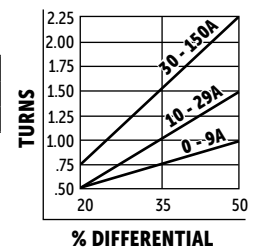


MODEL	SENSE RANGE	THRESHOLD ADJUST	OUTPUT	LED 1	LED 2
RIBXGTF-NC	.35 - 150A	No / Fixed	Terminals		
RIBXGTA-NC	.75 - 150A	Yes / Adjustable	Terminals	Over trip point	Under trip point

CAUTION: RISK OF ELECTRIC SHOCK - MORE THAN ONE DISCONNECT MAY BE REQUIRED TO DEENERGIZE THE DEVICE BEFORE SERVICING.

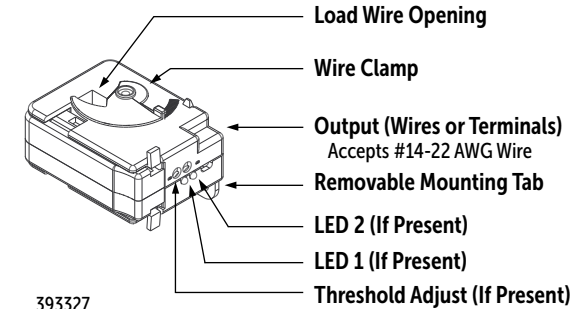
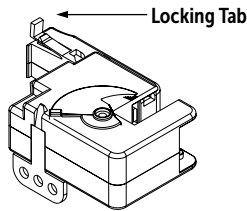
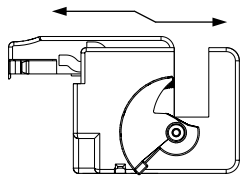
**TO SET UP**

1. Start load and let stabilize.
2. Turn screw counterclockwise until LED #1 goes ON (may already be ON).
3. Turn screw clockwise until LED #2 goes ON.
4. Turn screw counterclockwise until LED #1 goes ON.
5. For differential, continue turning screw counterclockwise as per chart.



**RIBXG-NC SERIES**  
Split Core Current Sensors

Squeeze the locking tabs, then pull up and back to open.



393327

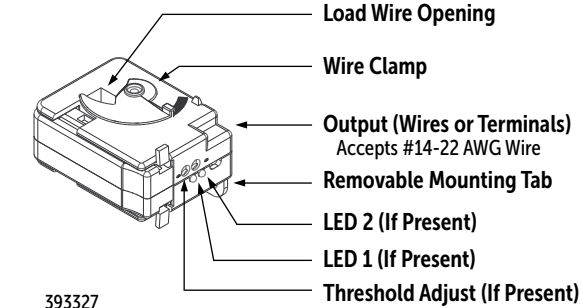
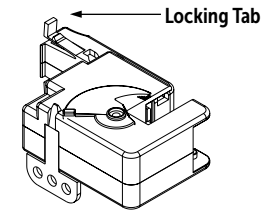
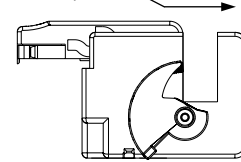
**Solid State Contact:**  
30 Vac/dc, 0.1 A max.  
**Operating Temperature:**  
-30 to 140° F  
**Max Sense Voltage:**  
600 Vac  
**Approvals:**  
UL Listed  
UL916, UL864, C-UL Canada  
**Housing Rating:**  
Plenum, NEMA 1



**Functional Devices, Inc.**  
101 Commerce Drive  
Sharpville, IN 46068  
[www.functionaldevices.com](http://www.functionaldevices.com)

**RIBXG-NC SERIES**  
Split Core Current Sensors

Squeeze the locking tabs, then pull up and back to open.



393327

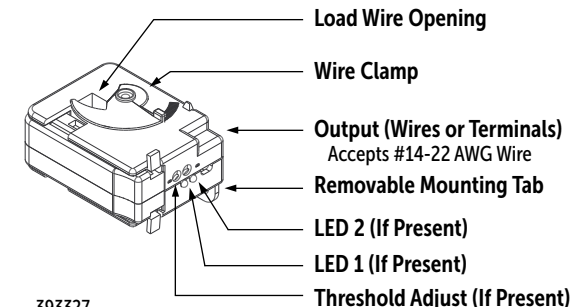
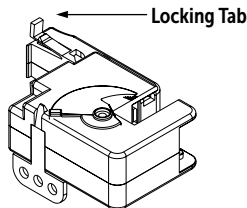
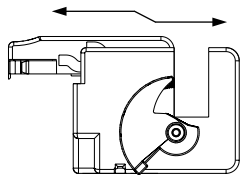
**Solid State Contact:**  
30 Vac/dc, 0.1 A max.  
**Operating Temperature:**  
-30 to 140° F  
**Max Sense Voltage:**  
600 Vac  
**Approvals:**  
UL Listed  
UL916, UL864, C-UL Canada  
**Housing Rating:**  
Plenum, NEMA 1



**Functional Devices, Inc.**  
101 Commerce Drive  
Sharpville, IN 46068  
[www.functionaldevices.com](http://www.functionaldevices.com)

**RIBXG-NC SERIES**  
Split Core Current Sensors

Squeeze the locking tabs, then pull up and back to open.



393327

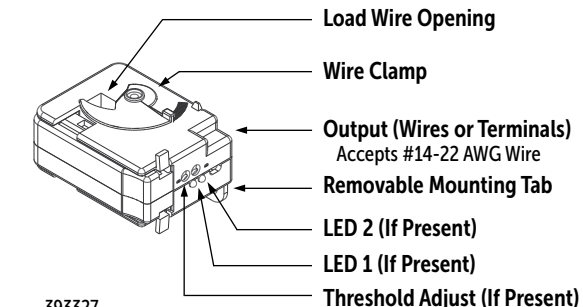
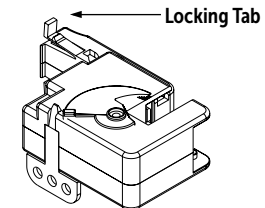
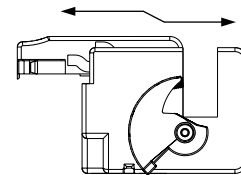
**Solid State Contact:**  
30 Vac/dc, 0.1 A max.  
**Operating Temperature:**  
-30 to 140° F  
**Max Sense Voltage:**  
600 Vac  
**Approvals:**  
UL Listed  
UL916, UL864, C-UL Canada  
**Housing Rating:**  
Plenum, NEMA 1



**Functional Devices, Inc.**  
101 Commerce Drive  
Sharpville, IN 46068  
[www.functionaldevices.com](http://www.functionaldevices.com)

**RIBXG-NC SERIES**  
Split Core Current Sensors

Squeeze the locking tabs, then pull up and back to open.



393327

**Solid State Contact:**  
30 Vac/dc, 0.1 A max.  
**Operating Temperature:**  
-30 to 140° F  
**Max Sense Voltage:**  
600 Vac  
**Approvals:**  
UL Listed  
UL916, UL864, C-UL Canada  
**Housing Rating:**  
Plenum, NEMA 1



**Functional Devices, Inc.**  
101 Commerce Drive  
Sharpville, IN 46068  
[www.functionaldevices.com](http://www.functionaldevices.com)