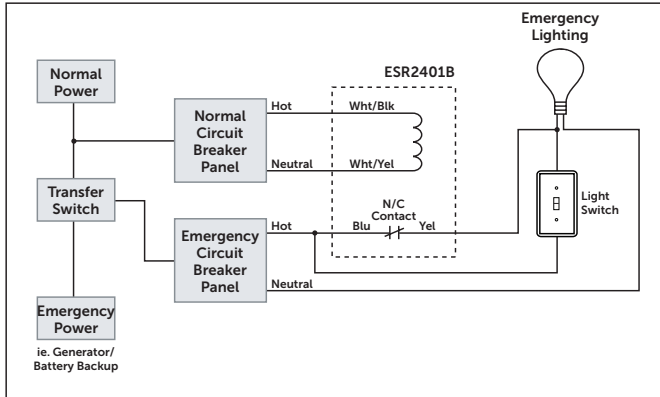


UL924

Emergency Lighting and Power Equipment

Example Wiring for ESR2401B



IMPORTANT SAFEGUARD: INSULATE UNUSED LEADS INDIVIDUALLY

When using electrical equipment, basic safety precautions should always be followed including the following:

READ AND FOLLOW ALL SAFETY INSTRUCTIONS

1. Do not use outdoors.
2. Do not mount near gas or electric heaters.
3. Equipment should be mounted in locations and at heights where it will not readily be subjected to tampering by unauthorized personnel.
4. The use of accessory equipment not recommended by the manufacturer may cause an unsafe condition.
5. Do not use equipment for other than intended use.
6. Servicing of this equipment should be performed by a qualified service personnel.

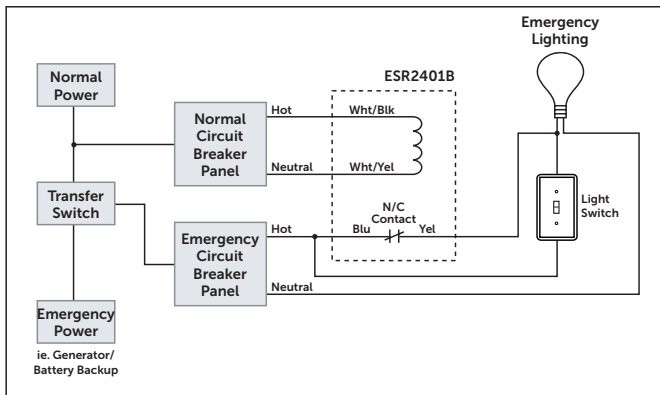
SAVE THESE INSTRUCTIONS.

393084Z

UL924

Emergency Lighting and Power Equipment

Example Wiring for ESR2401B



IMPORTANT SAFEGUARD: INSULATE UNUSED LEADS INDIVIDUALLY

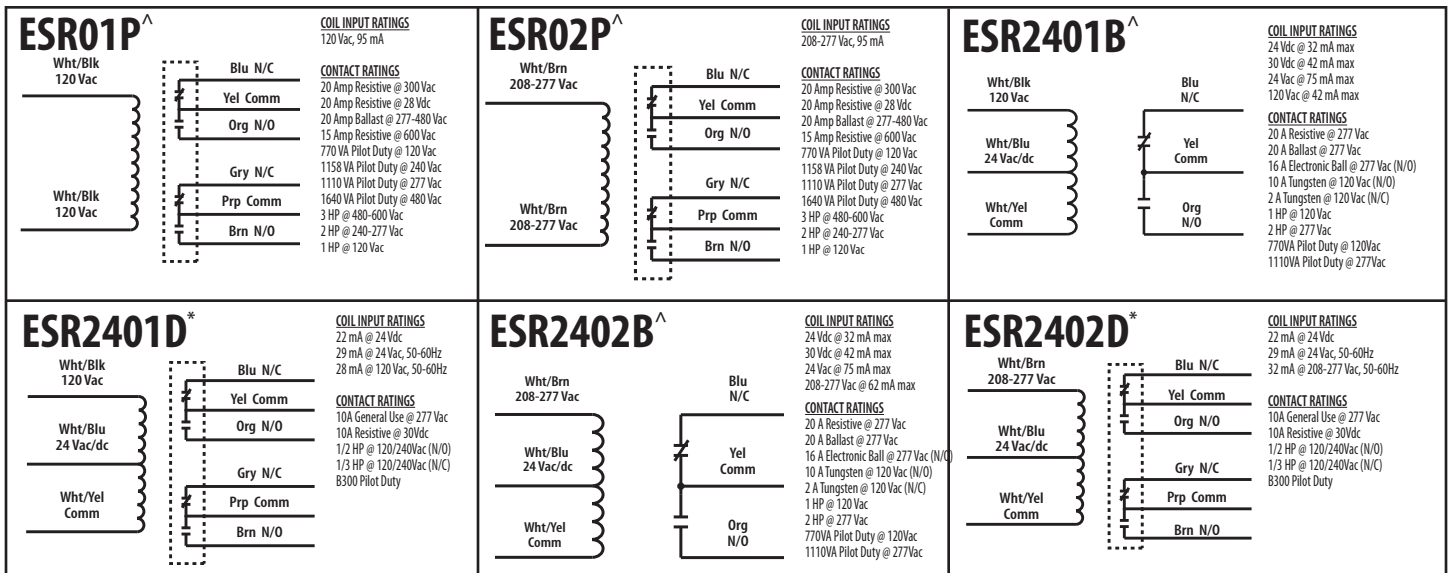
When using electrical equipment, basic safety precautions should always be followed including the following:

READ AND FOLLOW ALL SAFETY INSTRUCTIONS

1. Do not use outdoors.
2. Do not mount near gas or electric heaters.
3. Equipment should be mounted in locations and at heights where it will not readily be subjected to tampering by unauthorized personnel.
4. The use of accessory equipment not recommended by the manufacturer may cause an unsafe condition.
5. Do not use equipment for other than intended use.
6. Servicing of this equipment should be performed by a qualified service personnel.

SAVE THESE INSTRUCTIONS.

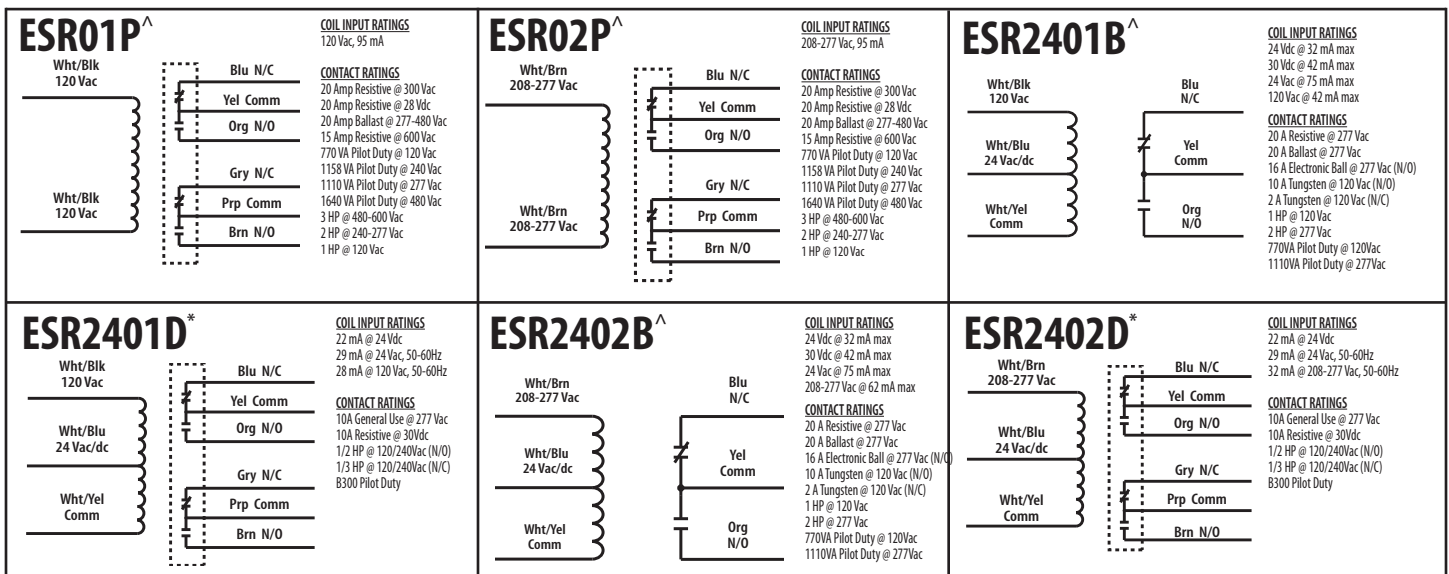
393084Z



*FOR SUPPLY CONNECTIONS USE #14AWG WIRES OR LARGER RATED FOR AT LEAST 75°C(167°F).

[^]FOR SUPPLY CONNECTIONS USE #12AWG WIRES OR LARGER RATED FOR AT LEAST 75°C(167°F).

All Vac ratings are 50/60 Hz



*FOR SUPPLY CONNECTIONS USE #14AWG WIRES OR LARGER RATED FOR AT LEAST 75°C(167°F).

[^]FOR SUPPLY CONNECTIONS USE #12AWG WIRES OR LARGER RATED FOR AT LEAST 75°C(167°F).

All Vac ratings are 50/60 Hz