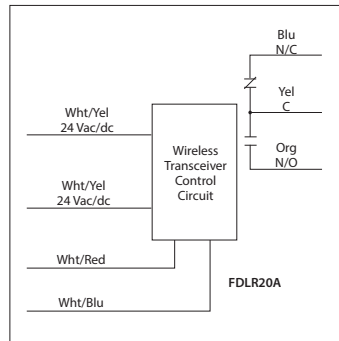


## FDLR20A

Enclosed EnOcean® Enabled Wireless Relay Transceiver / Repeater 20 Amp SPDT, 24 Vac/dc Power, with Dry Contact Input, 902 MHz

Relay has built-in repeater function. Relay receives signal from wireless switch transmitter and rebroadcasts the signal to the next relay receiver.



## 20 AMP WIRELESS CONTROL RELAY



## Specifications

**# Relays & Contact Type:** One (1) SPDT Continuous Duty Coil  
**Expected Relay Life:** 10 million cycles minimum mechanical  
**Operating Temperature:** -30 to 140° F  
**Humidity Range:** 5 to 95% (noncondensing)  
**Red LED:** Relay Status / Learn Mode Status (Flashing)  
**Dimensions:** 2.30" x 3.20" x 1.80" with .50" NPT Nipple  
**Wires:** 16", 600V Rated  
**Approvals:** UL Listed, UL916, C-UL, RoHS  
**Agency Compliance:** FCCID: SZV-TCM320U  
 IC: 5713A-TCM320U  
**Housing Rating:** UL Accepted for Use in Plenum, NEMA 1  
**Gold Flash:** No  
**Override Switch:** No  
**Frequency:** 902 MHz  
**Receiver Sensitivity:** -93 dBm typical  
**Conducted Power:** 5 mW typical  
**Built-in Switch Modes:** Alarm, Repeater, Delay, Rocker, Momentary, and Toggle

**Contact Ratings:**  
 20 Amp Resistive @ 277 Vac  
 20 Amp Ballast @ 277 Vac  
 16 Amp Electronic Ballast @ 277 Vac (N/O)  
 10 Amp Tungsten @ 120 Vac (N/O)  
 770 VA Pilot Duty @ 120 Vac  
 1,110 VA Pilot Duty @ 277 Vac  
 2 HP @ 277 Vac  
 1 HP @ 120 Vac

**Power Input Ratings:**  
 139 mA @ 24 Vac  
 69 mA @ 24 Vdc

### Notes:

- Compatible with EnOcean® 902 MHz Switches/Transmitters.
- Typical range: 50-150 ft.
  - Open area transmission could be farther. Consult factory for more information.
- Repeater function only rebroadcasts original EnOcean® transmission. Up to two repeaters can be used.
- Version 1.5 firmware or later implements Functional Devices, Inc.'s EnOcean® Manufacturer ID of 0x055.
- For setup instructions, see website for FDLR Series Application Manual: [https://www.functionaldevices.com/downloads/bulletins/B2126\\_393251.pdf](https://www.functionaldevices.com/downloads/bulletins/B2126_393251.pdf)
- EEP A5-30-02