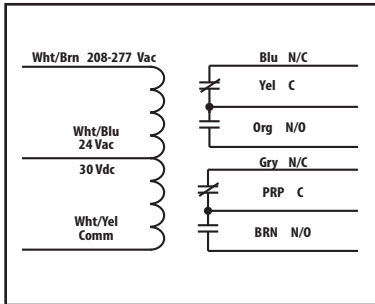


20 AMP POWER CONTROL RELAY

LR2402B2G

Enclosed Relay 20 Amp DPDT with
24 Vac/dc/208-277 Vac Coil



SPECIFICATIONS

Relays & Contact Type: DPDT Continuous Duty Coil
Expected Relay Life: 10 million cycles minimum mechanical
Operating Temperature: -30 to 140° F
Humidity Range: 5 to 95% (noncondensing)
Operate Time: 18ms
Relay Status: LED On = Activated
Dimensions: 2.30" x 3.20" x 1.80" with .75" NPT Nipple
Wires: 16", 600V Rated
Approvals: UL Listed, UL916, C-UL, CE, RoHS
Housing Rating: UL Accepted for Use in Plenum, NEMA 1
Gold Flash: No
Override Switch: No

Contact Ratings:
 20 A @ 277 Vac General Purpose
 20 A @ 28 Vdc
 1 HP @ 120 Vac
 2 HP @ 277 Vac
 2 HP @ 240 Vac (N/O)
 1 HP @ 208 Vac (N/O)
 20 A Ballast @ 277 Vac
 15 A Tungsten @ 120 Vac (N/O)
 5 A @ 480 Vac Resistive
 16 A @ 277 Vac Electronic Ballast (N/O)
 1110 VA Pilot Duty @ 277 Vac
 1158 VA Pilot Duty @ 240 Vac (N/O)
 770 VA Pilot Duty @ 208 Vac (N/O)
 770 VA Pilot Duty @ 120 Vac
 2 A Tungsten @ 120 Vac (N/C)

Coil Current:
 145 mA max @ 24 Vac
 65 mA max @ 30 Vdc
 140 mA max @ 208-277 Vac

Coil Voltage Input:
 24 Vac/dc ; 208-277 Vac ; 50-60 Hz
 Drop Out = 13.5 Vac / 15.5 Vdc
 Pull In = 18 Vac / 22 Vdc