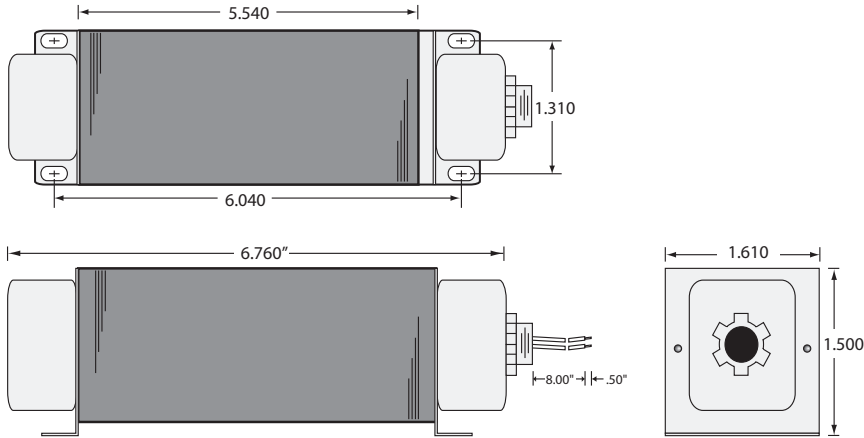


## LTA100

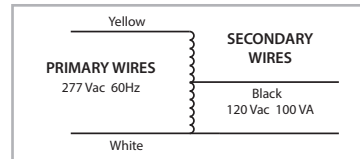
Autotransformer 100 VA, 277 to 120 Vac, Foot and Single Threaded Hub Mount

## TRANSFORMER



## SPECIFICATIONS

- VA Rating:** 100VA
- Frequency:** 50/60 Hz
- Mounting:** Foot & Single Threaded Hub
- Dimensions:** 6.76" x 1.61" x 1.50" (w/ .500" NPT Hub)
- Wire Length:** 8" Typical w/ .5" Strip
- Operating Temperature:** -30 to 140° F
- MTBF:** 100,000 Hours @ 77° F
- Construction:** Shared Common
- Weight:** 3.984 lbs.
- Approvals:** UL5085-2 Listed, C-UL, CE, RoHS



White wire shared between primary and secondary