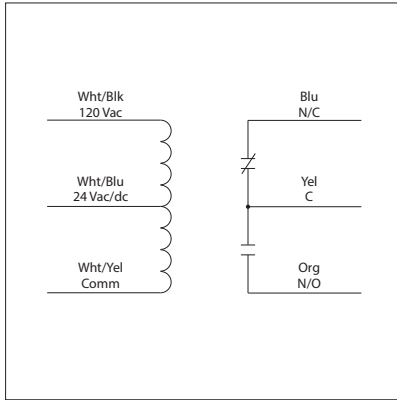


10 AMP PILOT CONTROL RELAY

RIB2401C

Enclosed Relay 10 Amp SPDT with 24 Vac/dc/120 Vac Coil



RIB2401C-RD
• Red housing



RIB2401C-N4
• NEMA 4X housing

SPECIFICATIONS

Relays & Contact Type: One (1) SPDT Continuous Duty Coil
Expected Relay Life: 10 million cycles minimum mechanical
Operating Temperature: -30 to 140° F
Humidity Range: 5 to 95% (noncondensing)
Operate Time: 6ms
Relay Status: LED On = Activated
Dimensions: 1.70" x 2.80" x 1.50" with .50" NPT nipple
Wires: 16", 600V Rated
Approvals: UL Listed, UL916, UL864, C-UL Canada, California State Fire Marshal, CE, RoHS
Housing Rating: UL Accepted for Use in Plenum, NEMA 1
Gold Flash: No
Override Switch: No

Contact Ratings:
 10 Amp General Use @ 277 Vac
 10 Amp Resistive @ 30 Vdc (N/O)
 7 Amp Resistive @ 30 Vdc (N/C)
 1/2 HP @ 125 Vac
 1 HP @ 250 Vac
 1/4 HP @ 277 Vac
 470 VA Pilot Duty @ 125 Vac
 770 VA Pilot Duty @ 250 Vac

Coil Current:
 24 mA @ 20 Vac
 28 mA @ 24 Vac
 44 mA @ 35 Vac
 28 mA @ 120 Vac
 13 mA @ 20 Vdc
 16 mA @ 24 Vdc
 25 mA @ 35 Vdc

Coil Voltage Input:
 24 Vac/dc ; 120 Vac ; 50-60 Hz
 Drop Out = 3.0 Vac / 3.8 Vdc
 Pull In = 20 Vac / 20 Vdc