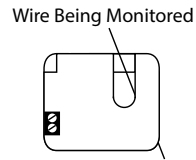
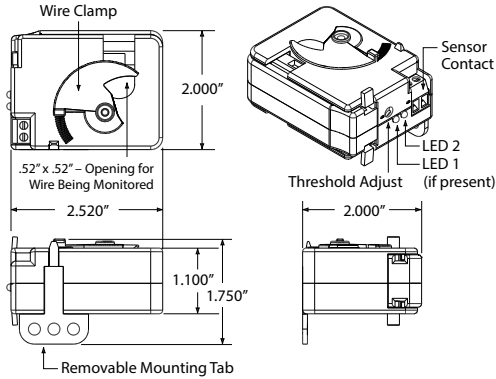


AC CURRENT SWITCHES

RIBXG-NC Series

Enclosed Self-Powered Split Core AC Sensors



SPECIFICATIONS

FUNCTIONAL DEVICES CERTIFIED FOR USE WITH ECMs

Operating Temperature: -30 to 140° F

Humidity Range: 5 to 95% (noncondensing)

Max Sense Voltage: 600 Vac

Approvals: UL Listed, UL916, UL864, C-UL,

California State Fire Marshal, CE, RoHS

Mounting/Installation: Removable mounting tab provided. The wire clamp locks against the wire being monitored, securing the unit in place.

Sensor Contact Status: Current below threshold: Closed
Current above threshold: Open

Sensor Contact:

- Solid State Contact
- When sensor contact is off (open), leakage <30 uA @ 30Vac/dc
- When sensor contact is on (closed), resistance 11.2 ohm

RIBXG SERIES SELECTION GUIDE

Model#	Sensing Range	Type	Threshold	Sensor Contact Type	Switching Voltage Range	Maximum Switching Current	Sensor Contact Termination	LED 1	LED 2
RIBXGTF-NC	.35-150 Amp	Split Core	Fixed, .35 Amp	Solid State Switch SPST	30 Vac/dc	.1 Amps Max	Terminal Strip, Accepts #14-22 AWG Wire		
RIBXGTA-NC	.75-150 Amp	Split Core	Adjustable	Solid State Switch SPST	30 Vac/dc	.1 Amps Max	Terminal Strip, Accepts #14-22 AWG Wire	Over Trip Point	Under Trip Point