

RIBMW24SB-LNT2

Bulletin B1051 • 393090F

CONTACT RATINGS

- 20 Amp Resistive @ 277 Vac
- 1 HP @ 120 Vac
- 2 HP @ 277 Vac
- 20A Ballast @ 277 Vac (N/O)
- 10A Ballast @ 277 Vac (N/C)
- 10A Tungsten @ 120 Vac (N/O)

POWER INPUT

24 Vac/dc = Terminal Strip

POWER INPUT RATINGS

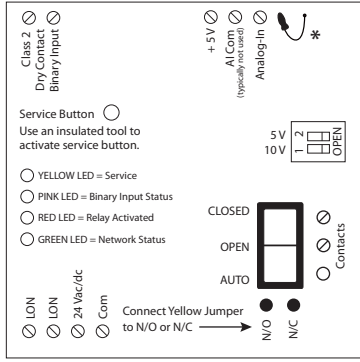
- 24 Vac, 111mA Max
- 24 Vdc, 81mA Max

Energy Management Equip.

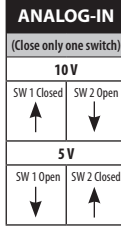
CONTACT OUTPUT
Terminals

www.FunctionalDevices.com

Precon[®] is a registered trademark of Kele and Associates.



* Connect Precon[®] PN ST-R24, 10K @ 77°F (25°C), Type 2, Model 24 (or equivalent) to Thermistor terminals: +5 Vdc and Analog-In. Set DIP switch to 5V (see below.)

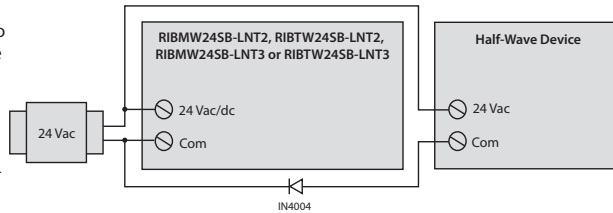


FOR SUPPLY CONNECTIONS USE #12AWG WIRES OR LARGER RATED FOR AT LEAST 75°C(167°F).

CAUTION: RISK OF ELECTRIC SHOCK - MORE THAN ONE DISCONNECT MAY BE REQUIRED TO DEENERGIZE THE DEVICE BEFORE SERVICING.

When connecting 24 Vac to both the RIB(s) and a half-wave device, damage to device can occur. Option 1: Use separate transformers for each device. Option 2: Add diode between devices, see Option 2 note. ^^

^^ Option 2:
Add diode on 24 Vac power (Com) interconnection between devices. Band on diode faces towards RIB(s).



RIBMW24SB-LNT2

Bulletin B1051 • 393090F

CONTACT RATINGS

- 20 Amp Resistive @ 277 Vac
- 1 HP @ 120 Vac
- 2 HP @ 277 Vac
- 20A Ballast @ 277 Vac (N/O)
- 10A Ballast @ 277 Vac (N/C)
- 10A Tungsten @ 120 Vac (N/O)

POWER INPUT

24 Vac/dc = Terminal Strip

POWER INPUT RATINGS

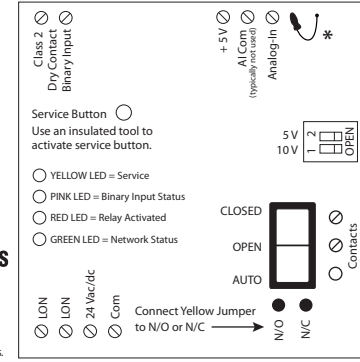
- 24 Vac, 111mA Max
- 24 Vdc, 81mA Max

Energy Management Equip.

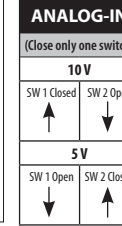
CONTACT OUTPUT
Terminals

www.FunctionalDevices.com

Precon[®] is a registered trademark of Kele and Associates.



* Connect Precon[®] PN ST-R24, 10K @ 77°F (25°C), Type 2, Model 24 (or equivalent) to Thermistor terminals: +5 Vdc and Analog-In. Set DIP switch to 5V (see below.)

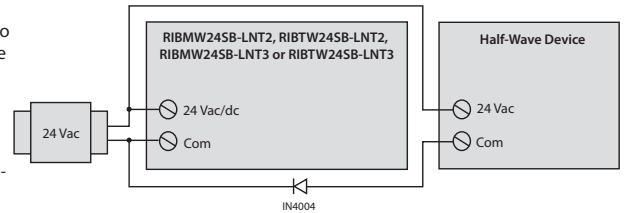


FOR SUPPLY CONNECTIONS USE #12AWG WIRES OR LARGER RATED FOR AT LEAST 75°C(167°F).

CAUTION: RISK OF ELECTRIC SHOCK - MORE THAN ONE DISCONNECT MAY BE REQUIRED TO DEENERGIZE THE DEVICE BEFORE SERVICING.

When connecting 24 Vac to both the RIB(s) and a half-wave device, damage to device can occur. Option 1: Use separate transformers for each device. Option 2: Add diode between devices, see Option 2 note. ^^

^^ Option 2:
Add diode on 24 Vac power (Com) interconnection between devices. Band on diode faces towards RIB(s).



RIBMW24SB-LNT2

Bulletin B1051 • 393090F

CONTACT RATINGS

- 20 Amp Resistive @ 277 Vac
- 1 HP @ 120 Vac
- 2 HP @ 277 Vac
- 20A Ballast @ 277 Vac (N/O)
- 10A Ballast @ 277 Vac (N/C)
- 10A Tungsten @ 120 Vac (N/O)

POWER INPUT

24 Vac/dc = Terminal Strip

POWER INPUT RATINGS

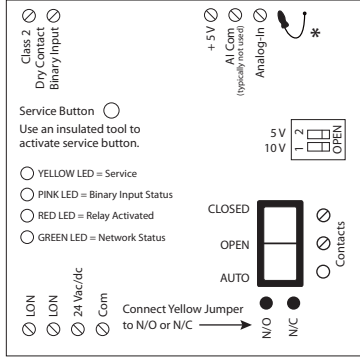
- 24 Vac, 111mA Max
- 24 Vdc, 81mA Max

Energy Management Equip.

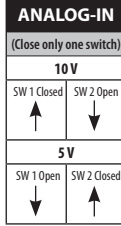
CONTACT OUTPUT
Terminals

www.FunctionalDevices.com

Precon[®] is a registered trademark of Kele and Associates.



* Connect Precon[®] PN ST-R24, 10K @ 77°F (25°C), Type 2, Model 24 (or equivalent) to Thermistor terminals: +5 Vdc and Analog-In. Set DIP switch to 5V (see below.)

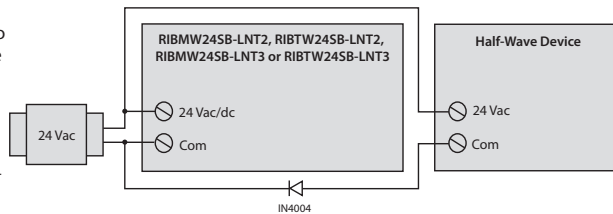


FOR SUPPLY CONNECTIONS USE #12AWG WIRES OR LARGER RATED FOR AT LEAST 75°C(167°F).

CAUTION: RISK OF ELECTRIC SHOCK - MORE THAN ONE DISCONNECT MAY BE REQUIRED TO DEENERGIZE THE DEVICE BEFORE SERVICING.

When connecting 24 Vac to both the RIB(s) and a half-wave device, damage to device can occur. Option 1: Use separate transformers for each device. Option 2: Add diode between devices, see Option 2 note. ^^

^^ Option 2:
Add diode on 24 Vac power (Com) interconnection between devices. Band on diode faces towards RIB(s).



RIBMW24SB-LNT2

Bulletin B1051 • 393090F

CONTACT RATINGS

- 20 Amp Resistive @ 277 Vac
- 1 HP @ 120 Vac
- 2 HP @ 277 Vac
- 20A Ballast @ 277 Vac (N/O)
- 10A Ballast @ 277 Vac (N/C)
- 10A Tungsten @ 120 Vac (N/O)

POWER INPUT

24 Vac/dc = Terminal Strip

POWER INPUT RATINGS

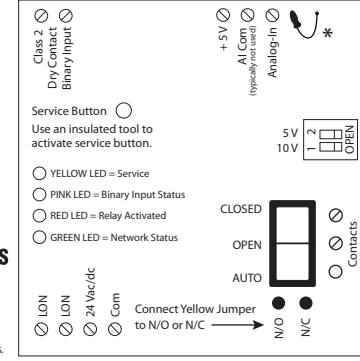
- 24 Vac, 111mA Max
- 24 Vdc, 81mA Max

Energy Management Equip.

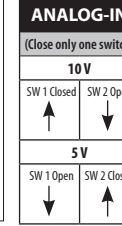
CONTACT OUTPUT
Terminals

www.FunctionalDevices.com

Precon[®] is a registered trademark of Kele and Associates.



* Connect Precon[®] PN ST-R24, 10K @ 77°F (25°C), Type 2, Model 24 (or equivalent) to Thermistor terminals: +5 Vdc and Analog-In. Set DIP switch to 5V (see below.)



FOR SUPPLY CONNECTIONS USE #12AWG WIRES OR LARGER RATED FOR AT LEAST 75°C(167°F).

CAUTION: RISK OF ELECTRIC SHOCK - MORE THAN ONE DISCONNECT MAY BE REQUIRED TO DEENERGIZE THE DEVICE BEFORE SERVICING.

When connecting 24 Vac to both the RIB(s) and a half-wave device, damage to device can occur. Option 1: Use separate transformers for each device. Option 2: Add diode between devices, see Option 2 note. ^^

^^ Option 2:
Add diode on 24 Vac power (Com) interconnection between devices. Band on diode faces towards RIB(s).

